



Ratio **60:1**



Art. 63074



Art. 63095

Air-operated pumps suitable for dispensing all types of grease short and long distances. **Particularly suitable for centralized dispensing systems.**

Particularly recommended for specific needs requiring a higher quantity of grease and higher pressure.

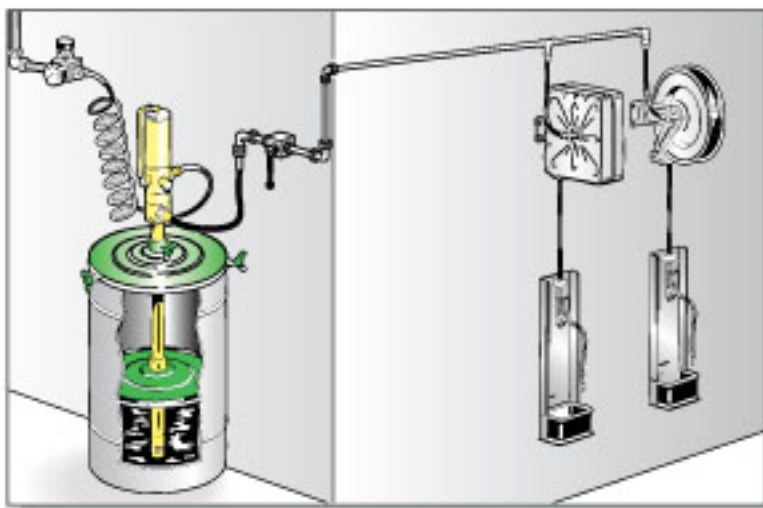
Art. 63074 Air-operated grease pump ratio 60:1
for 50/60 kg trade drums
(length of suction tube 740 mm)

N° 1 packing m³ 0,020 kg 7,4

Art. 63095 Air-operated grease pump ratio 60:1
for 180/220 kg trade drums
(length of suction tube 940 mm)

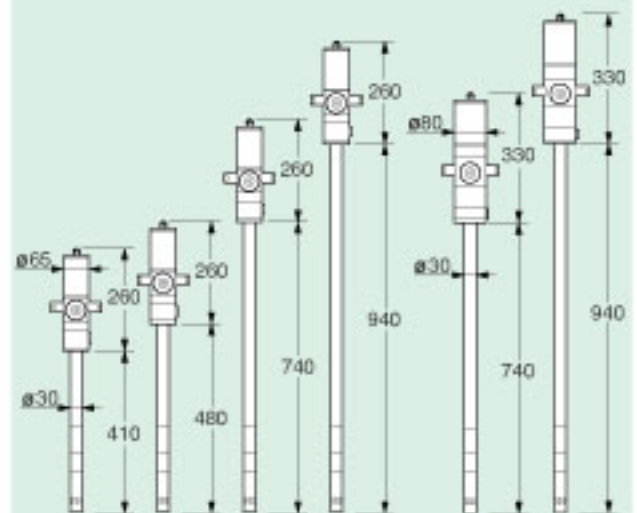
N° 1 packing m³ 0,020 kg 8,2

The suction tube is realized with special heat-treated pressed steel couplings, i.e. without seals in order to eliminate eventual wear.



Single- and Double-acting	see page 50-51
Compression ratio	see page 52
Relative and real capacity	see page 53

Overall dimensions



art. 62041-62048-62074-62095

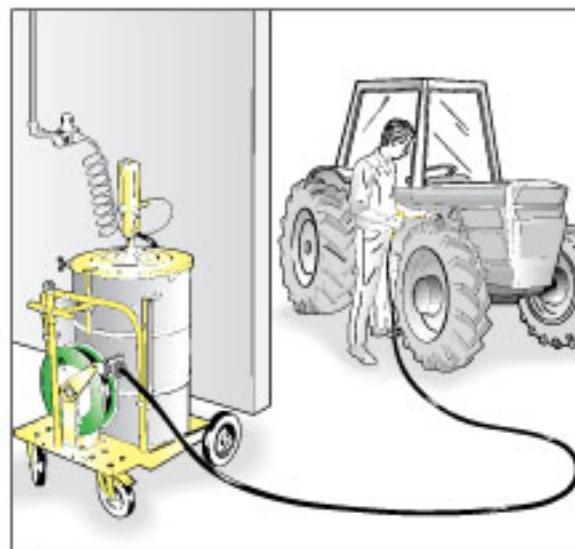
art. 63074-63095



for drums 180/220 kg
with HOSE REEL



Art. 64000 for drums 180/220 kg with Ø from 550 to 600 mm



Mobile grease dispensing kit: the handiest and completest combination for dispensing grease in any workplace (workshop, agriculture, industry, ...), with easy to handle trolley and handy hose-reel with 12 metres of tube.

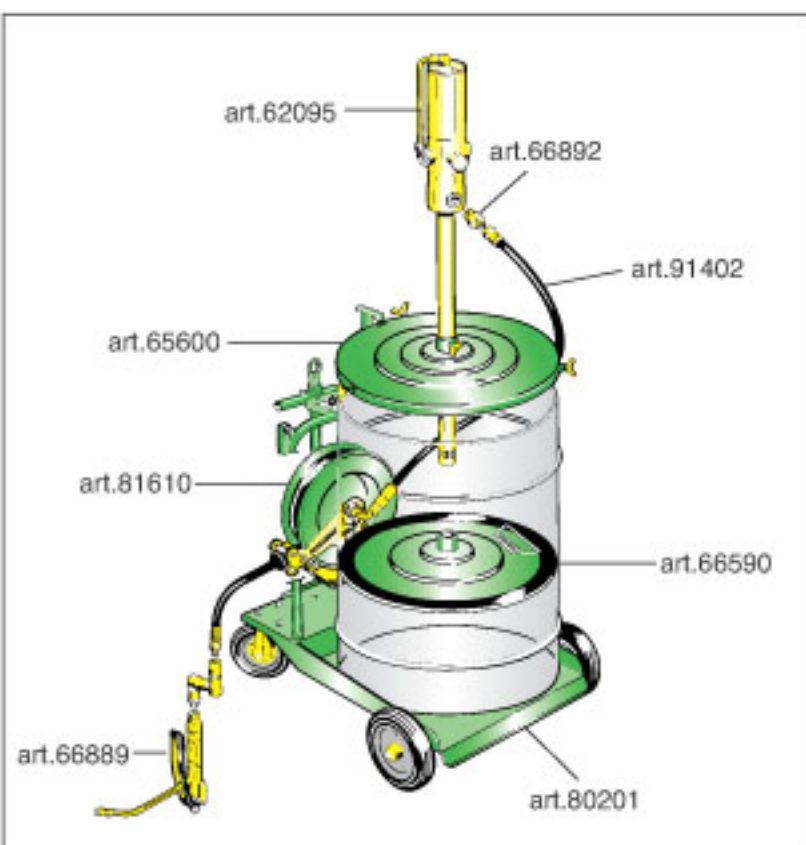
The mobile kit is equipped with:
trolley with drum quick-clamping device, adjustable side support for hooking gun hose, braked wheel; other accessories.

Art. 64000 **Mobile kit for dispensing grease for drums of 180/220 kg with inside Ø from 550 to 600 mm** composed of:

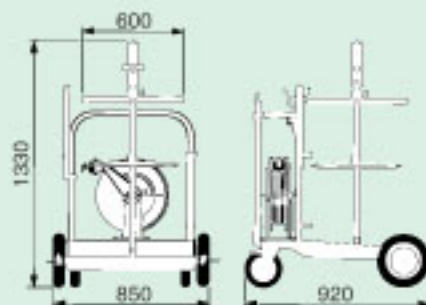
- art. 62095 pump ratio 50:1
- art. 80201 trolley, super version
- art. 81610 hose-reel, 12 m
- art. 66892 nipples
- art. 91402 connection hose
- art. 66889 Gun with "Z" swivel
- art. 65600 drum cover Ø 600 mm for drums outside Ø from 550 to 600 mm
- art. 66590 follower plate Ø 585 mm for drums inside Ø from 540 to 580 mm

📦 N° 4 packing m³ 0,234 📦 kg 85,2

Note: The same platform can be supplied on request, at different price, with hose reel (art. 81615) equipped with 1/4" hose, length 18 metres.



Overall dimensions



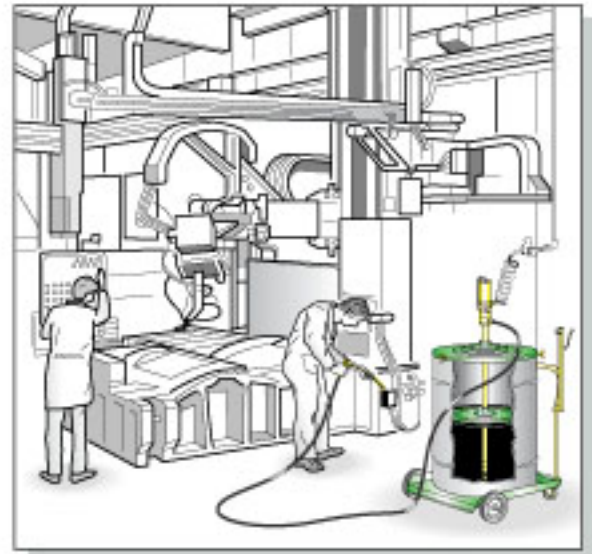
art. 64000



for drums 180/220 kg



Art. 64070 for drums 180/220 kg with Ø from 550 to 600 mm

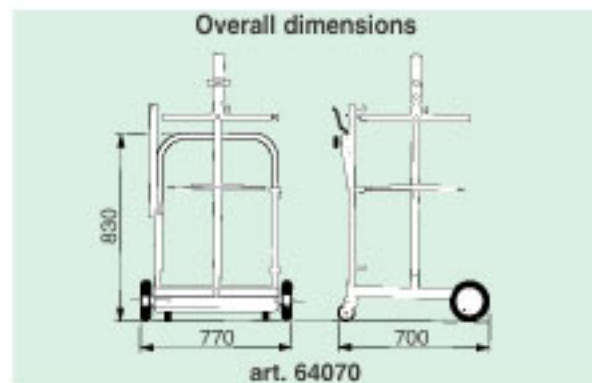
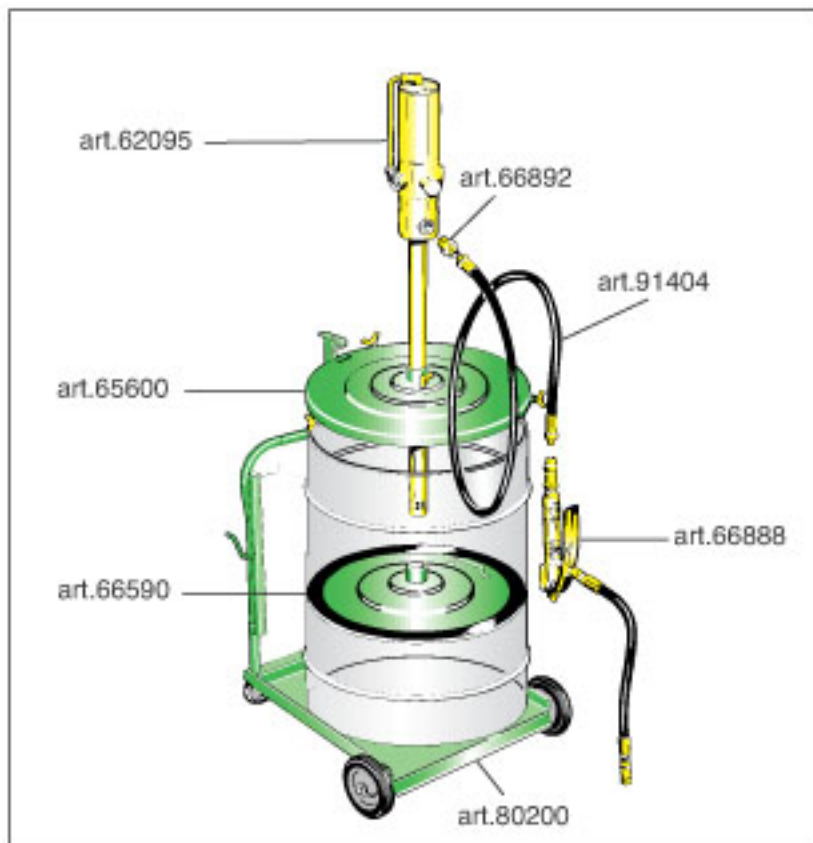


Mobile grease dispensing kit: practical, complete, and handy combination for dispensing greases of any density and in any workplace (workshop, agriculture, industry, ...).

The mobile grease dispensing kit is composed of a trolley equipped with drum quick-clamping device and adjustable side support for hooking gun and hose, or other accessories.

- Art. 64070 Mobile kit for dispensing grease for drums of 180/220 kg with inside Ø from 550 to 600 mm** composed of:
- art. 62095 pump ratio 50:1
 - art. 80200 trolley for drums
 - art. 66892 nipples
 - art. 91404 delivery hose 1/4" 4 m
 - art. 66888 gun with straight swivel
 - art. 65600 drum cover Ø 600 mm for drums outside Ø from 550 to 600 mm
 - art. 66590 follower plate Ø 585 mm for drums inside Ø from 540 to 580 mm

№ 3 packing m³ 0,120 kg 64,2



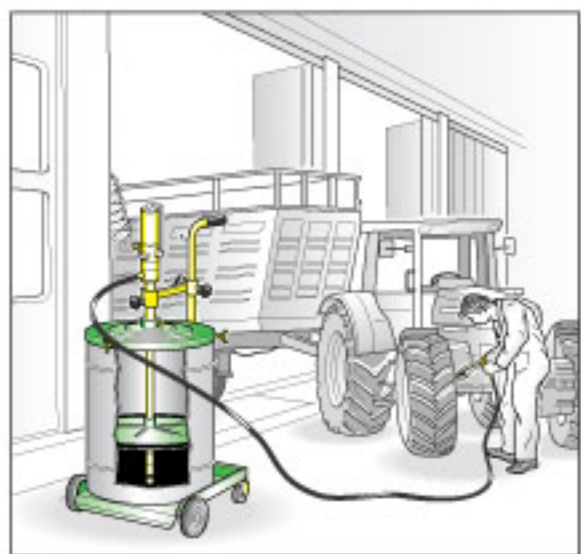


for drums 50/60 kg



Art. 64064 for drums 50/60 kg with Ø from 370 to 420 mm

In addition to serving as a support for the pump, the **grease pump trolley** is structured to take various size containers. Equipped with 4 wheels, 2 fixed and 2 castors, it is very easy to handle.



The grease pump : a practical, complete and handy combination for dispensing grease in small and medium size containers in any workplace (workshop, agriculture, industry, ...).

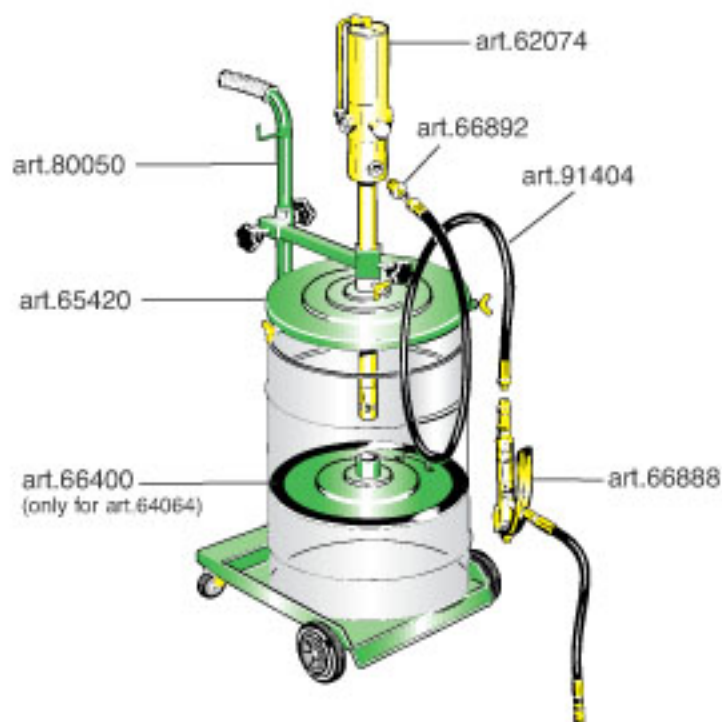
Art. 64064 **Grease pump** for drums 50/60 kg with **outside Ø from 370 to 420 mm** composed of:

- art. 62074 pump Ratio 50:1
- art. 80050 trolley
- art. 66892 nipples
- art. 91404 delivery hose 1/4" 4 m
- art. 66888 gun with straight swivel
- art. 65420 drum cover Ø 420 mm
- art. 66400 **follower plate** Ø 400 mm

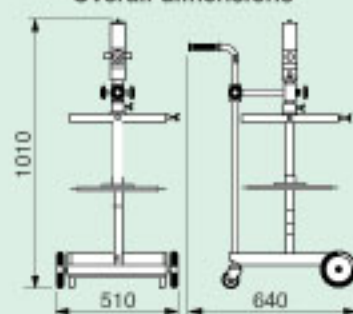
 N° 3 packing m³ 0,059  kg 22,4

Art. 64063 **Grease pump** for drums 50/60 kg with **outside Ø from 370 to 420 mm** same as 64064 but **without follower plate**

 N° 3 packing m³ 0,059  kg 19,5



Overall dimensions



art. 64063 - 64064

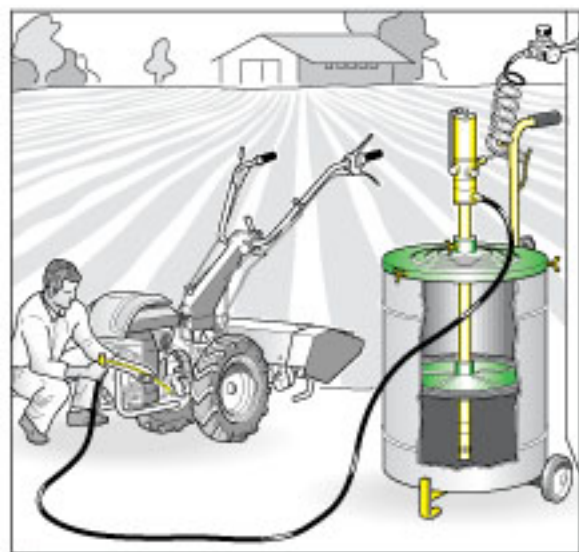
for drums **50/60 kg**



Art. 64038 for drums 50/60 kg with Ø from 340 to 385 mm

Art. 64041 for drums 50/60 kg with Ø from 370 to 420 mm

The trolleys are unit construction and adjustable, entirely plated, and suitable for carrying 20/60 kg drums. The unit construction enables reduced volume for easy carrying and storing.



Art. 64041 **Grease pump** for drums with outside Ø from 370 to 420 mm composed of:

- art. 62074 pump ratio 50:1
- art. 80035 trolley - art. 66892 nipples
- art. 91404 delivery hose 1/4" 4 m
- art. 66888 gun with straight swivel
- art. 65420 drum cover Ø 420 mm
- art. 66400 follower plate Ø400mm

☐ N° 3 packing m³ 0,048 ⚖ kg 21

Art. 64040 **Grease pump** for drums with outside Ø from 370 to 420 mm same as 64041 but without follower plate

☐ N° 3 packing m³ 0,048 ⚖ kg 19

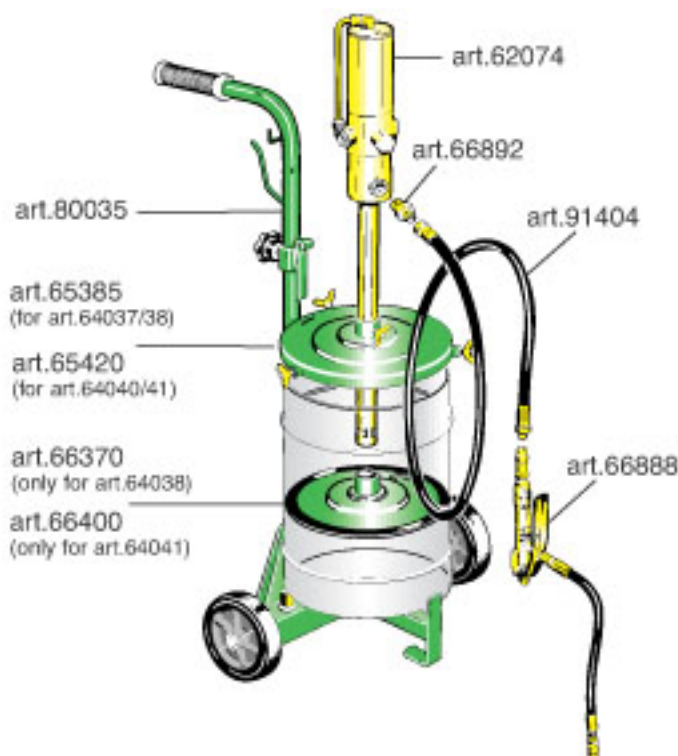
Art. 64038 **Grease pump** for drums with outside Ø from 340 to 385 mm composed of:

- art. 62074 pump Ratio 50:1
- art. 80035 trolley - art. 66892 nipples
- art. 91404 delivery hose 1/4" 4 m
- art. 66888 gun with straight swivel
- art. 65385 drum cover Ø 385 mm
- art. 66370 follower plate Ø 370 mm

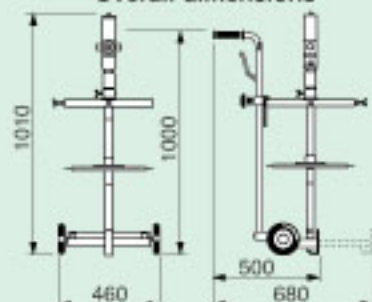
☐ N° 3 packing m³ 0,048 ⚖ kg 20

Art. 64037 **Grease pump** for drums with outside Ø from 340 to 385 mm same as art. 64038 but without follower plate

☐ N° 3 packing m³ 0,048 ⚖ kg 18



Overall dimensions



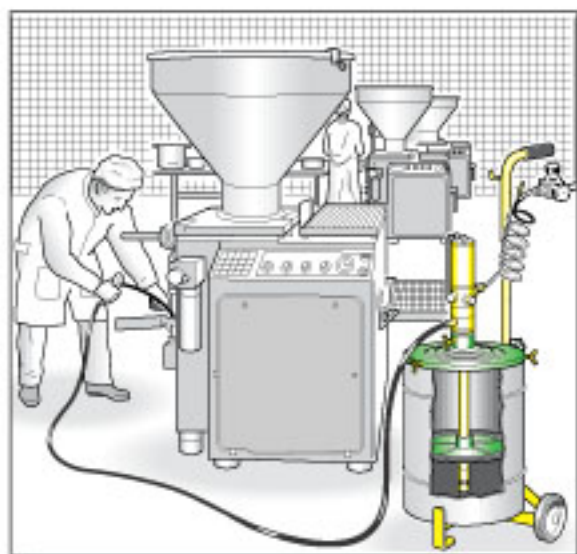
art. 64037 - 64038 - 64040 - 64041

for drums **20/30 kg**

Art. 64033 for drums 20/30 kg with Ø from 260 to 310 mm

Art. 64035 for drums 20/30 kg with Ø from 300 to 350 mm

Sturdy construction for the practical air-operated mobile dispensers, excellent for a wide variety of greasing needs. Unit construction offers reduced volume for easy carrying and storing.



Art. 64035 Grease pump for drums with outside Ø from 300 to 350 mm

composed of:

- art. 62048 pump Ratio 50:1
- art. 80035 trolley - art. 66892 nipples
- art. 91404 delivery hose 1/4" 4 m
- art. 66888 gun with straight swivel
- art. 65350 drum cover Ø 350 mm
- art. 66340 follower plate Ø 340 mm

№ 3 packing m³ 0,040 kg 17,5

Art. 64034 Grease pump for drums with outside Ø from 300 to 350 mm same as 64035 but without follower plate

№ 3 packing m³ 0,040 kg 15,9

Art. 64033 Grease pump for drums with outside Ø from 260 to 310 mm

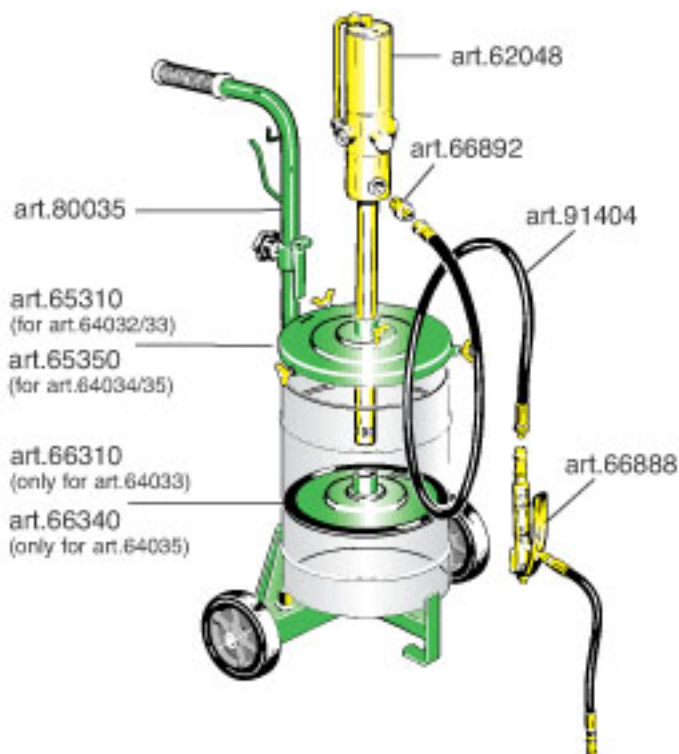
composed of:

- art. 62048 pump Ratio 50:1
- art. 80035 trolley - art. 66892 nipples
- art. 91404 delivery hose 1/4" 4 m
- art. 66888 gun with straight swivel
- art. 65310 drum cover Ø 310 mm
- art. 66310 follower plate Ø 310 mm

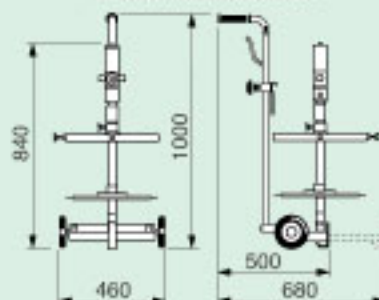
№ 3 packing m³ 0,040 kg 17

Art. 64032 Grease pump for drums with outside Ø from 260 to 310 mm same as 64033 but without follower plate

№ 3 packing m³ 0,040 kg 15



Overall dimensions



art. 64032 - 64033 - 64034 - 64035

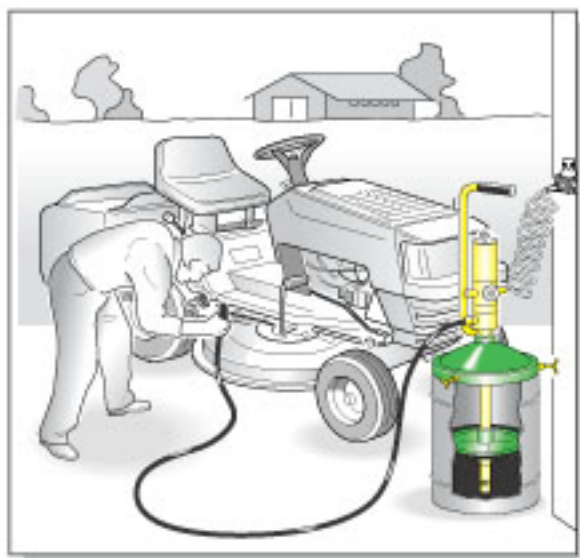
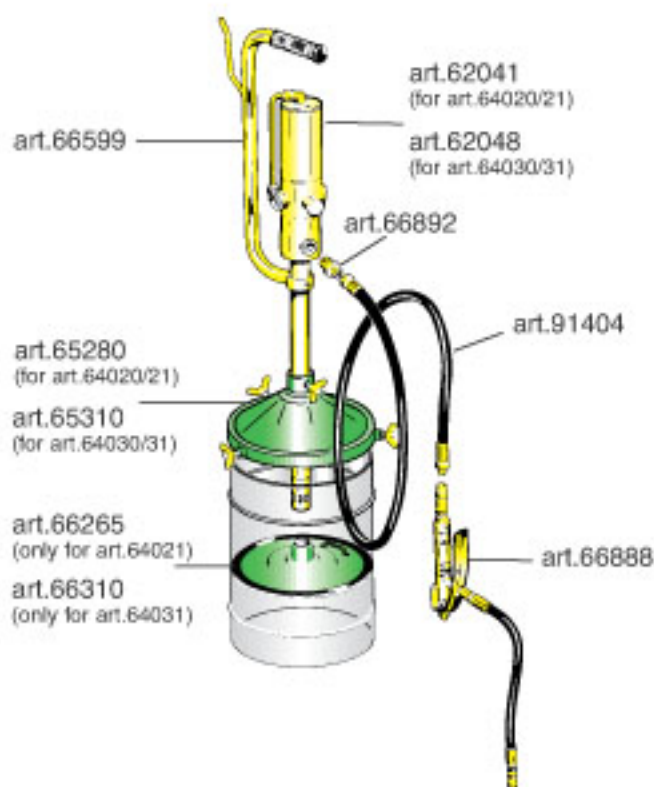
for drums **12/30 kg**



Art. 64021 for drums 12/20 kg with Ø from 240 to 280 mm

Art. 64031 for drums 20/30 kg with Ø from 260 to 310 mm

Air-operated portable grease pumps for dispensing grease in 12-30 kg drums. Practical and easy to handle, their feature reduced volume.



Art.64031 Portable grease pump for drums of outside Ø from 260 to 310 mm composed of:

- art. 62048 pump - art. 66892 nipples
- art. 91404 delivery hose 1/4" 4 m
- art. 66888 gun with straight swivel
- art. 66599 kit carrying handle
- art. 65310 drum cover Ø 310 mm
- art. 66310 follower plate Ø 310 mm

N° 2 packing m³ 0,025 kg 11,4

Art.64030 Portable grease pump for drums of outside Ø from 260 to 310 mm same as 64031 but **without follower plate**

N° 2 packing m³ 0,025 kg 9,1

Art.64021 Portable grease pump for drums of outside Ø from 240 to 280 mm composed of:

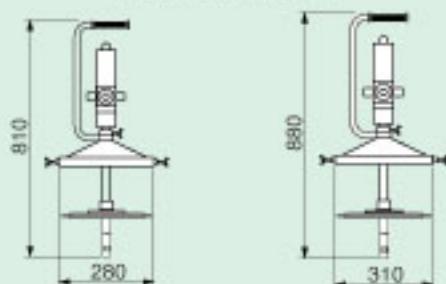
- art. 62041 pump - art. 66892 nipples
- art. 91404 delivery hose 1/4" 4 m
- art. 66888 gun with straight swivel
- art. 66599 kit carrying handle
- art. 65280 drum cover Ø 280 mm
- art. 66265 follower plate Ø 225 mm

N° 2 packing m³ 0,030 kg 12

Art.64020 Portable grease pump for drums of outside Ø from 240 to 280 mm same as 64021 but **without follower plate**

N° 2 packing m³ 0,030 kg 9,9

Overall dimensions



art. 64020 - 64021

art. 64030 - 64031



for drums 50/60 kg
wall-mounted with
hose-reel pump to drum

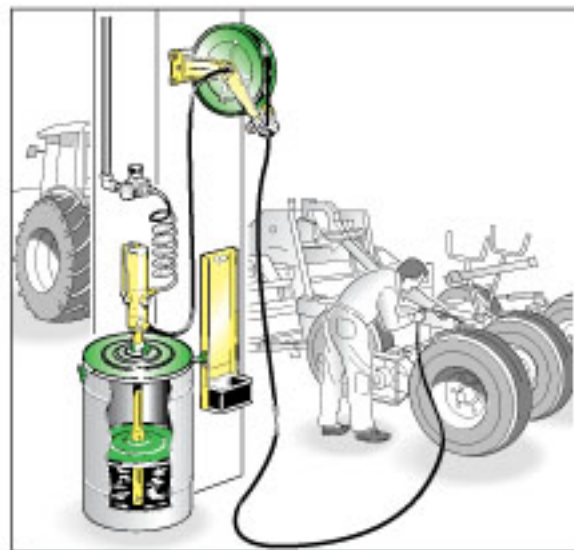


Ø drum



Art. 64150 for drums 50/60 kg with Ø from 370 to 420 mm

Notes: if a greater distance for use is required, the wall-mounted grease kit can be supplied on request and at a different price, with hose-reel (art. 82115) equipped with 1/4" hose, 18 metres.

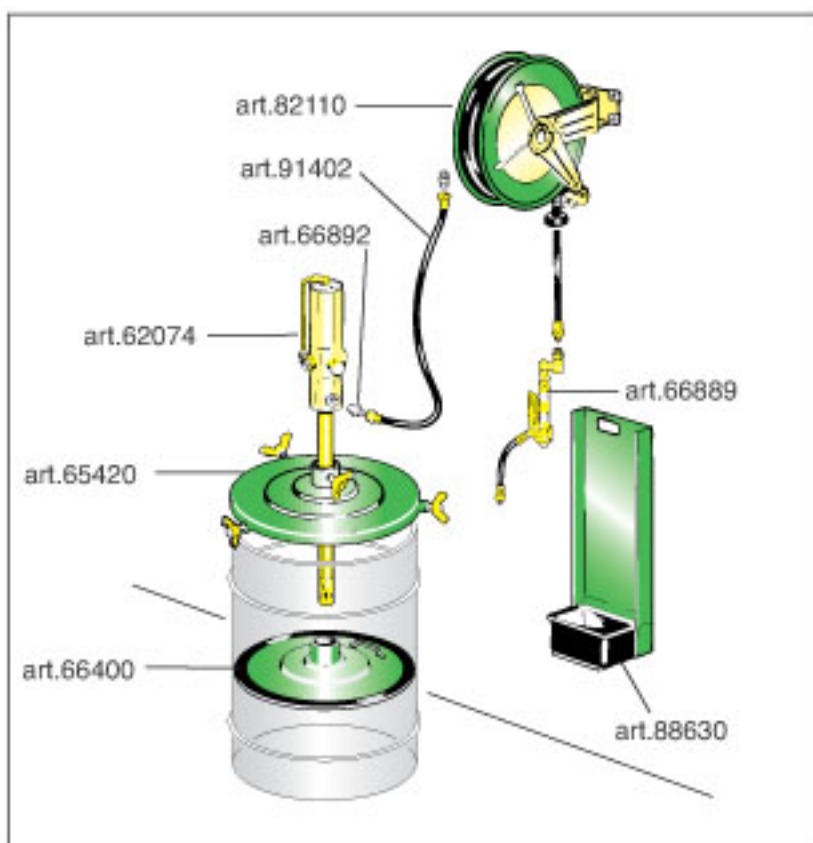


Wall-mounted grease dispensing kit: complete modular solution for separate use, in fixed position or combined with centralized systems for dispensing grease stored in drums.

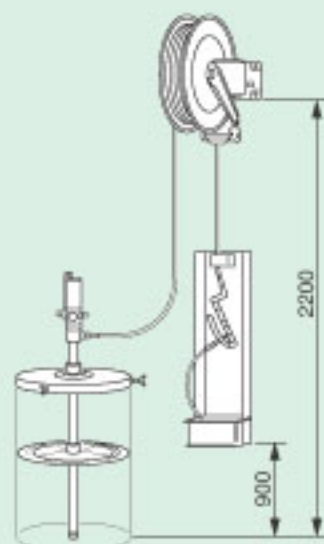
Art. 64150 Wall-mounted grease dispensing kit for drums of 50/60 kg with outside Ø from 370 to 420 mm composed of:

- art. 62074 pump Ratio 50:1
- art. 66892 nipples
- art. 66889 gun complete with joint
- art. 65420 drum cover Ø 420 mm
- art. 66400 follower plate Ø 400 mm
- art. 82110 hose reel 12 m 1/4"
- art. 88630 modular drip-tray
- art. 91402 hose F/F 600 bar - m 1,5

№ 4 packing m³ 0,130 kg 37,6



INSTALLATION DIMENSIONS



art. 64150

for drums **180/220 kg**
wall-mounted with
hose-reel pump to drum

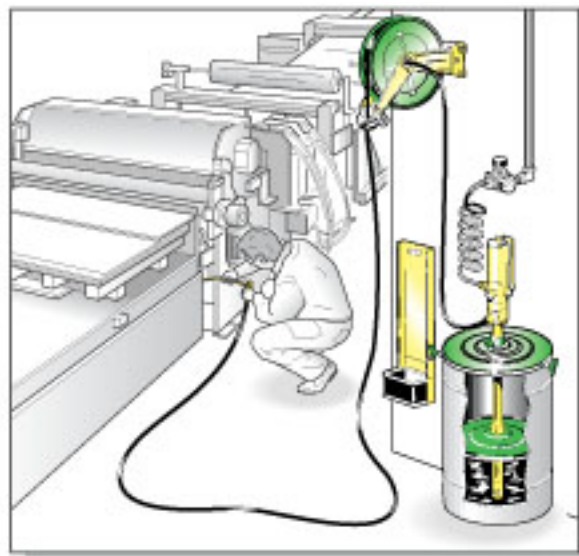


Ø drum



Art. 64200 for drums 180/220 kg with Ø from 550 to 600 mm

Notes: if a greater distance for use is required, the wall-mounted grease kit can be supplied on request and at a different price, with hose-reel (art. 82115) equipped with 1/4" hose, 18 metres.

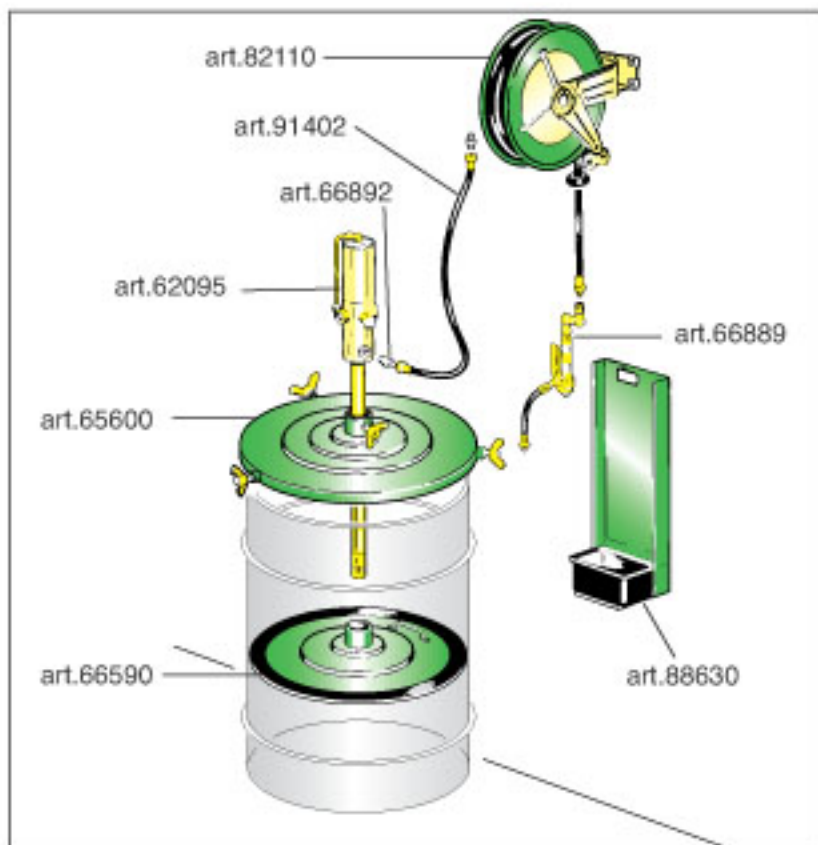


Wall-mounted grease dispensing kit: complete modular solution for separate use, in fixed position or combined with centralized systems for dispensing grease stored in drums.

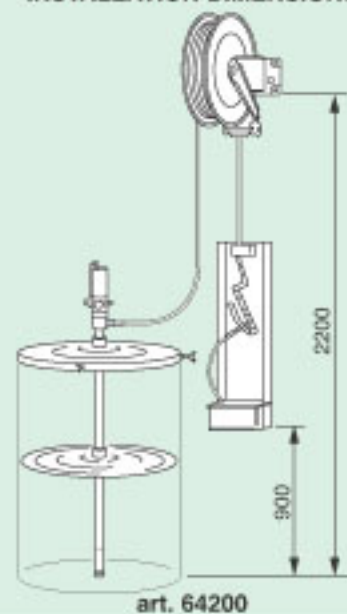
Art. 64200 Wall-mounted grease dispensing kit for drums of 180/220 kg with outside Ø from 550 to 600 mm composed of:

- art. 62095 pump ratio 50:1
- art. 66892 nipples
- art. 66889 gun complete with joint
- art. 65600 drum cover Ø 600 mm
- art. 66590 follower plate Ø 585 mm
- art. 82110 hose-reel 12 m 1/4"
- art. 88630 modular drip-tray
- art. 91402 hose F/F 600 bar - m 1.5

N° 4 packing m³ 0,150 kg 66,8



INSTALLATION DIMENSIONS



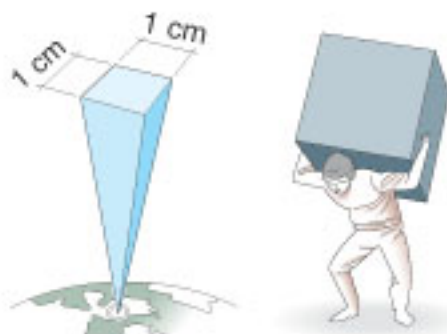


The follower plate is always recommended but becomes indispensable when using particularly hard greases.

The follower plate is pulled towards the bottom of the drum by the vacuum created by the pump and has the following advantages:

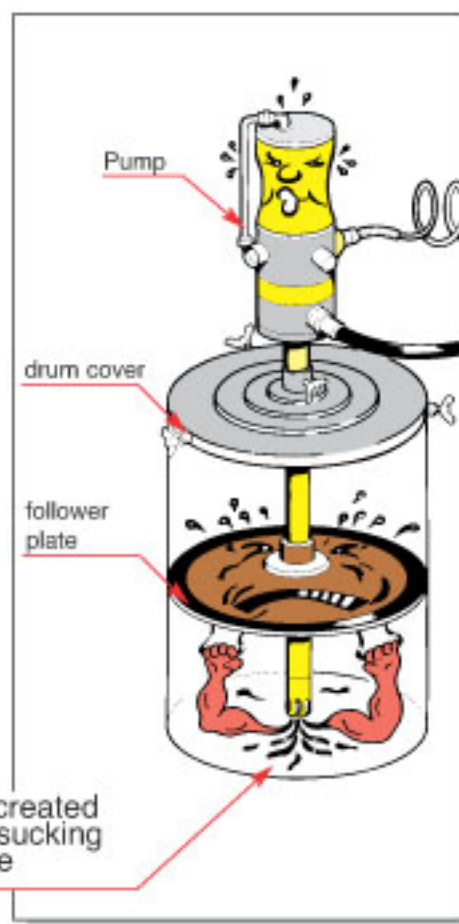
- compresses the grease thus preventing air pockets from being formed and eventual cavitation of pump,
- keeps the grease clean, as well as preserving its characteristics, allows collection of all the grease that would otherwise remain stuck to the bottom of the drum and to the sides of the same.

As shown and described on page 111, the atmospheric pressure at sea-level is **1 atmosphere** per cm^2 . Therefore when the pump creates a vacuum under the follower plate, a force equal to a **total weight of almost 1 kg per square centimetre is created above it.**



It is worthwhile pointing out that in this case the weight created above the follower plate is the following:

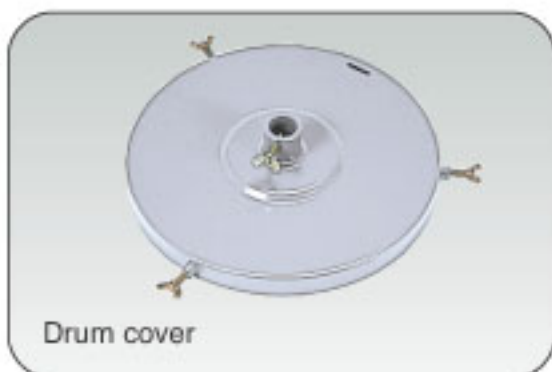
- for follower plate \varnothing 265 mm, approximately 370 kg;
- for follower plate \varnothing 310 mm, approximately 500 kg;
- for follower plate \varnothing 340 mm, approximately 650 kg;
- for follower plate \varnothing 370 mm, approximately 750 kg;
- for follower plate \varnothing 420 mm, approximately 1000 kg;
- for follower plate \varnothing 585 mm, approximately 1900 kg.



Follower plate

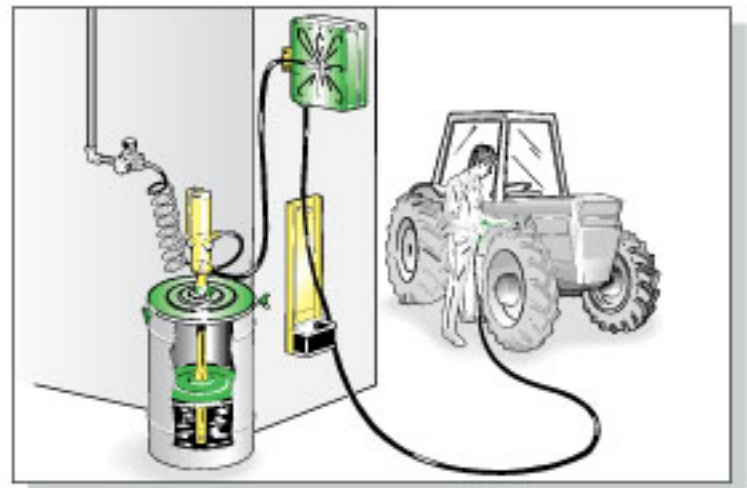
- Art. 66265 **Follower plate \varnothing 265 mm**
(for 12/20 kg drums with inside \varnothing from 240 to 260 mm)
- Art. 66310 **Follower plate \varnothing 310 mm**
(for 16/30 kg drums with inside \varnothing from 270 to 300 mm)
- Art. 66340 **Follower plate \varnothing 340 mm**
(for 20/30 kg drums with inside \varnothing from 300 to 330 mm)
- Art. 66370 **Follower plate \varnothing 370 mm**
(for 50/60 kg drums with inside \varnothing from 335 to 360 mm)
- Art. 66400 **Follower plate \varnothing 400 mm**
(for 50/60 kg drums with inside \varnothing from 360 to 400 mm)
- Art. 66590 **Follower plate \varnothing 585 mm**
(for 180/200 kg drums with inside \varnothing from 540 to 580 mm)

In addition to stopping impurities from mixing with the grease, the **drum cover** keeps the pump in a vertical position to ensure best operation. Comes in various sizes for drums of 12 kg to 220 kg, and is provided with handwheels for sure fitting to the drum.



Drum cover

- Art. 65280 **Drum cover \varnothing 280 mm**
(for 12/20 kg drums with outside \varnothing from 240 to 280 mm)
- Art. 65310 **Drum cover \varnothing 310 mm**
(for 16/30 kg drums with outside \varnothing from 260 to 310 mm)
- Art. 65350 **Drum cover \varnothing 350 mm**
(for 20/30 kg drums with outside \varnothing from 300 to 350 mm)
- Art. 65385 **Drum cover \varnothing 385 mm**
(for 50/60 kg drums with outside \varnothing from 340 to 385 mm)
- Art. 65420 **Drum cover \varnothing 420 mm**
(for 50/60 kg drums with outside \varnothing from 370 to 420 mm)
- Art. 65600 **Drum cover \varnothing 600 mm**
(for 180/220 kg drums with outside \varnothing from 550 to 600 mm)



The wide range of accessories for grease pumps enables the operator to create a personalized combination or kit according to specific needs of use.

Art. 66599 Handle for portable grease kits
Coupled with drum cover on 16-20 kg grease drums, and handy for carrying on rough ground or hard to access places.

Art. 66740 Special grease fitting
The grease fitting has four jaws.

Art. 66741 90° grease fitting

Art. 66742 Grease fitting
For hexagon head grease nipples 15 mm or round head 6 mm

Art. 66743 Grease fitting - push coupler
For hexagon-head grease nipples 15 mm

Art. 66891 Nipples 1/4" x 1/4" G connections M/M

Art. 66892 Nipples 1/4" x 3/8" G connections M/M

Art. 66893 Nipples 1/4" x 1/2" G connections M/M

Art. 66895 Nipples 3/8"G x 1/4" NPT connections M/F

Art. 66896 Nipples 1/4"G x 1/4" NPT connections M/F

Art. 66661 Straight swivel M/F 1/4"G
When connected to the gun enables independent turning on the delivery hose to which it is connected even when pressurized.

Art. 66663 "Z" swivel M/F 1/4"G
When connected to the gun enables three independent types of turning on the delivery hose to which it is connected even when pressurized, thus facilitating work even in small spaces.

Art. 91400 Connection hose, system-hose-reel
0,6 m 1/4" F/F 600 bar

Art. 91402 Connection hose, pump-hose-reel
1,5 m 1/4" F/F 600 bar

Art. 91404 Delivery hose for the mobile kit
4 m 1/4" M/F 600 bar

Art. 91412 Delivery hose for hose-reels
12 m 1/4" M/F 600 bar

Art. 91418 Delivery hose for hose-reels
18 m 1/4" M/F 600 bar





Art. 66860

Art. 66880

Art. 66888

Art. 66889



The wide range of grease pump accessories enables the operator to create a personalized combination or kit according to specific needs of use.

Art. 66860 Gun with hose

Length of hose complete with fitting, 43 cm. Will accept the straight swivel (art. 66661) or the "Z" swivel (art. 66663). With inlet connection thread 1/4" F.

Art. 66880 Gun with rigid tube

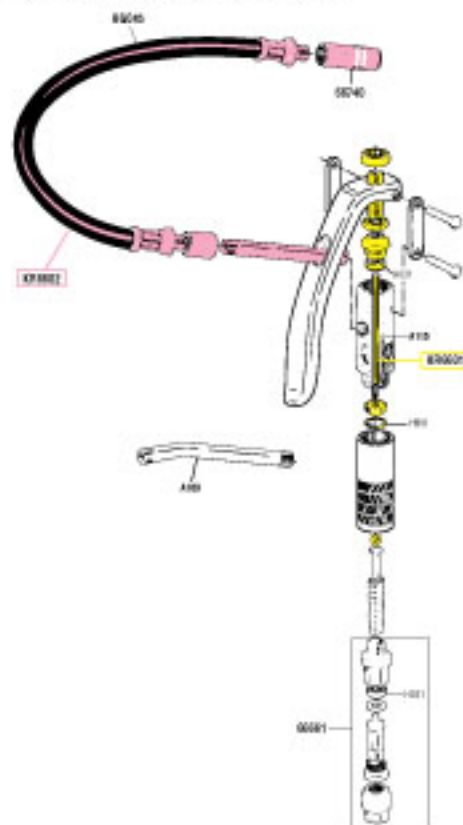
Length of rigid tube complete with grease fitting, 16 cm. Will accept the straight swivel (art. 66661) or the "Z" swivel (art. 66663). With inlet connection thread 1/4" F.

Art. 66888 Gun with flexible/rigid delivery tube complete with straight swivel (art. 66661).

With inlet connection thread 1/4" F.

Art. 66889 Gun with flexible/rigid delivery tube complete with "Z" swivel (art. 66663)

With inlet connection thread 1/4" F.





Art. 66899

The quantity of grease delivered by the gun must not be measured empirically, but must be measured precisely and displayed directly on the LCD.

Characterized by compact dimensions and limited weight, it can replace normal grease delivery guns with the advantages of:

- guaranteeing correct distribution of grease, thanks to the resettable indicator;
- record grease consumption thanks to indication of the total delivered.

Technical card Grease gun gram-counter

Article	66899
Inlet connection	1/4" F
Max. working pressure	550 bar
Bursting pressure	1000 bar
Counting precision	+ - 3%
Gram count	4 figures
Totalizer in kg	4 figures
Working temperature	max. 60°C
Battery life	24 months
Weight of gun	1 Kg

(*) RAASM does not produce this article.

Gram-counter gun for grease

Innovatory grease gun, integrated with a gram-counter.

Art. 66899 Grease metering gun.

(*)

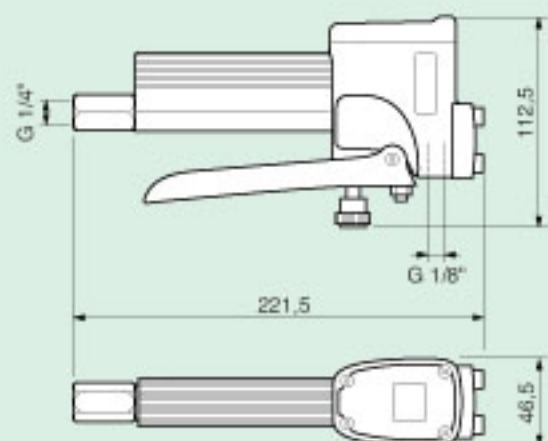
Complete with:

- "Z" swivel joint F 1/4" G
- flexible/rigid delivery tube equipped with grease hook
- inlet connection thread 1/4" F.

Not type-approved for public use.



Overall dimensions



art. 66899

