





Pedal and hand-operated portable grease pumps. For practical and safe greasing anywhere, and on any motor vehicle and/or machinery.

The **seamless pressed tank** guarantees the follower plate supplied maximum adherence and functionality.

Art. 68012 Portable, high-pressure hand-operated grease pump.

- Equipped with 13 kg portable tank
- grease follower plate
- delivery hose 2.5 m complete with terminal rigid with 4-jaw clamp (art. 66740)

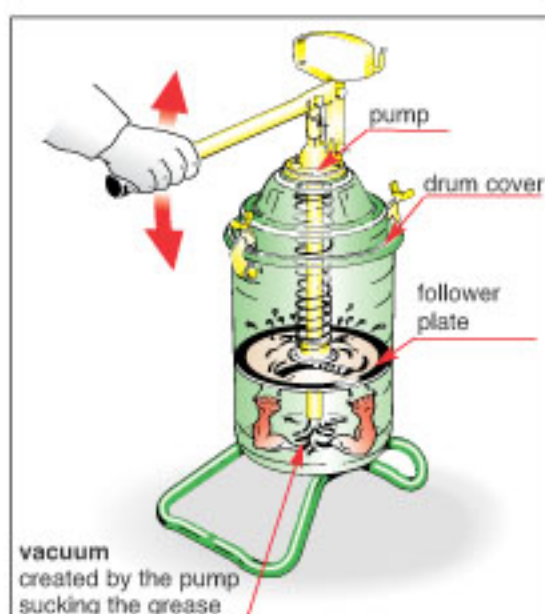
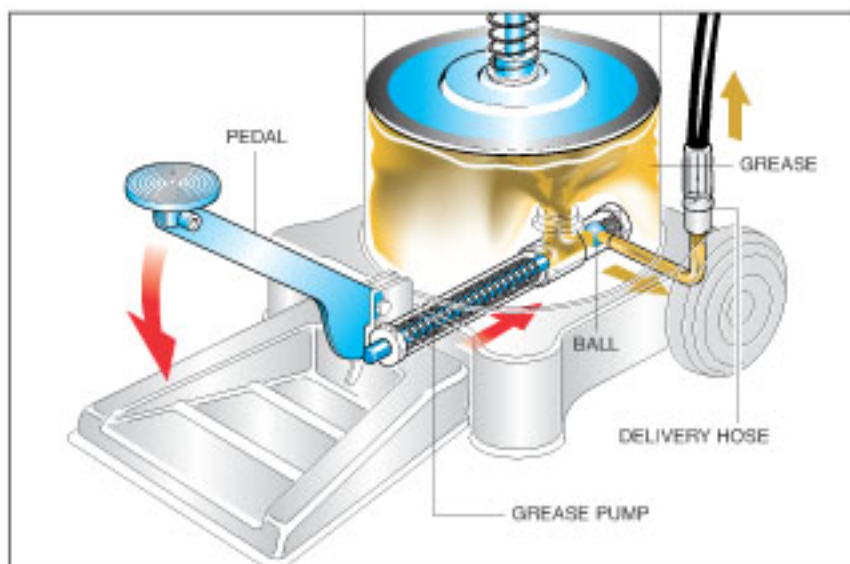
☐ N° 1 packing m³ 0,070 📦 kg 10,4

Art. 68113 Pedal-operated grease pump, high pressure, wheel-mounted.

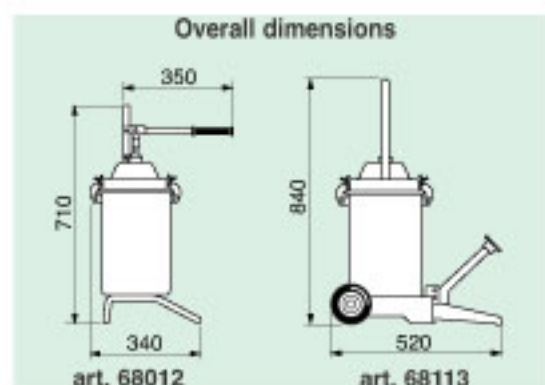
- Equipped with 13 kg wheel-mounted tank
- grease follower plate
- delivery hose 2.5 m complete with terminal rigid with 4-jaw clamp (art. 66740)

☐ N° 1 packing m³ 0,100 📦 kg 14

Article	68012	68113
Max. capacity tank	13 kg	13 kg
Length delivery hose	2,5 m	2,5 m
Pressure of grease in delivery	140/150 bar	190/200 bar
Capacity every 10 cycles of lever	60 g	40 g



The follower plate, indispensable when using particularly hard greases, is drawn towards the bottom of the drum by the vacuum created by the pump in grease suction stage.





Handy and functional handle for carrying and handling.

Rigid grease terminal with tap.

Hose of 2.5 metres 1/8" G

Pedal operating a single pump efficient enough for high-pressure greasing.

The seamless steel tank guarantees maximum functionality and adherence to follower plate

Two fixed wheels assembled on a stable and sturdy platform.







Art.68213

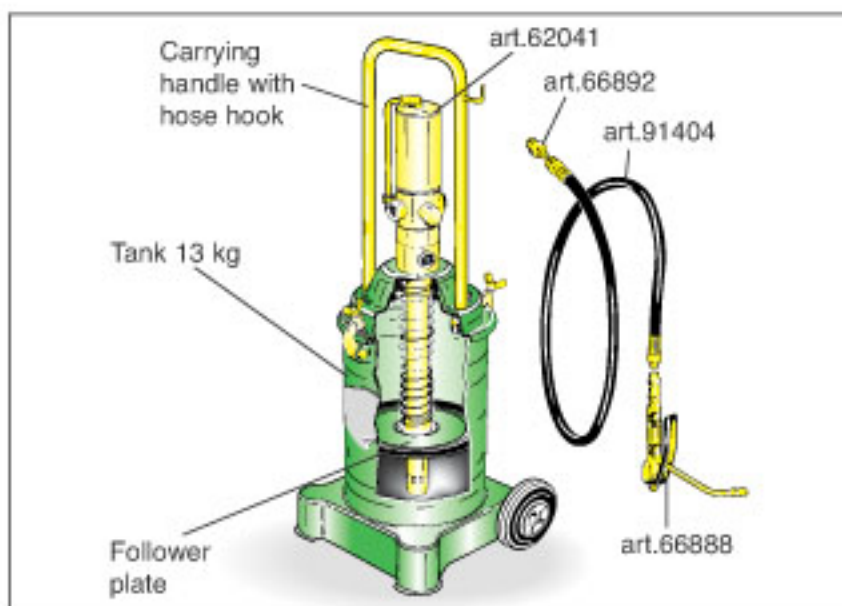
Art.68213 Air-operated grease pump

Equipped with:

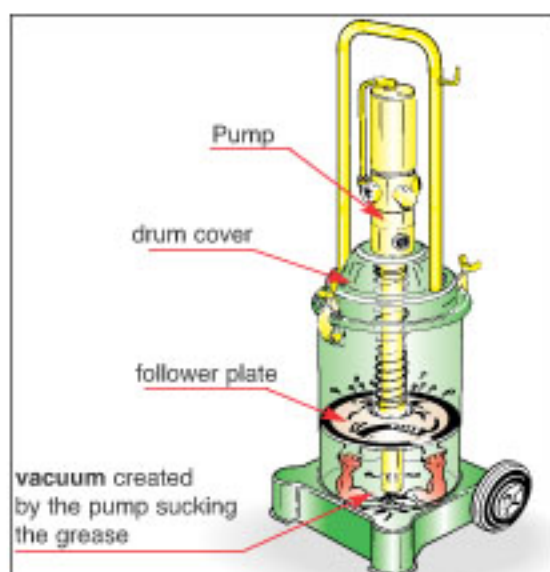
- air-operated pump for grease, ratio 50:1 (art. 62041)
- art. 66892 nipples (connection)
- art. 66888 gun with flexible/rigid delivery tube
- art. 91404 delivery hose 1/4" - 4 m

 N° 1 packing m^3 0,100  kg 16,7

Article	68213
Tank capacity	13 kg
Length delivery hose	4 m
Grease gun delivery tube	40 cm
Pump delivery	art. 62041
Compression ratio	50:1
Noise level	81 dB
Max. working pressure	8 bar
Max. air consumption	130 l/min
Capacity (free outlet 6 bar self-levelling grease at 20° C)	1000 g/min



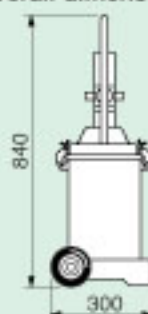
Air-operated grease pump, with 13 kg wheel-mounted tank. Minimum volume and extremely practical, it is always ready for use and enables easy greasing at high pressure on any motor vehicle or machinery. The **seamless pressed** tank offers maximum guarantee of adherence and functionality of follower plate.



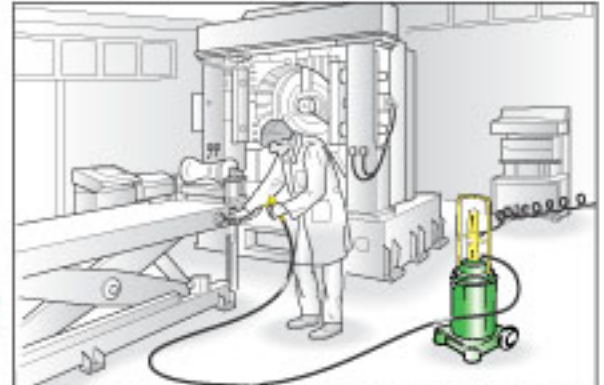
vacuum created by the pump sucking the grease

The follower plate, indispensable when using particularly hard greases, is drawn towards the bottom of the drum by the vacuum created by the pump in grease suction stage.

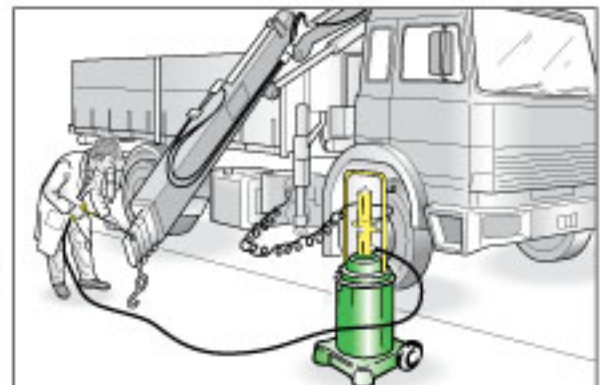
Overall dimensions



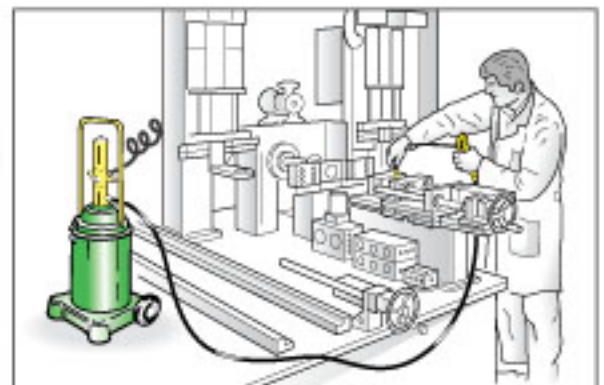
art. 68213



Greasing of conveyor rollers or lines etc. in manufacturing industries.



Proceed with maintenance by feeding the grease pump with air produced by the truck.



Greasing machine tools or dies in the mechanical industry.



Proceed with maintenance by feeding the grease pump with air produced by the bulldozer



art.60280 (from \varnothing 240 to \varnothing 260)

art.60310 (from \varnothing 270 to \varnothing 300)

Art.60280 Hand-operated grease pump for drums of 12/20 kg

Composed of:

- hand-operated pump
- drum cover \varnothing 280 mm
- 2.5 m grease delivery hose with hook (art. 66740)
- follower plate \varnothing 265 (drums with inside \varnothing from 240 to 260mm)

N° 1 packing m³ 0,022 kg 5,4

Art.60310 Hand-operated grease pump for drums of 16/30 kg

Composed of:

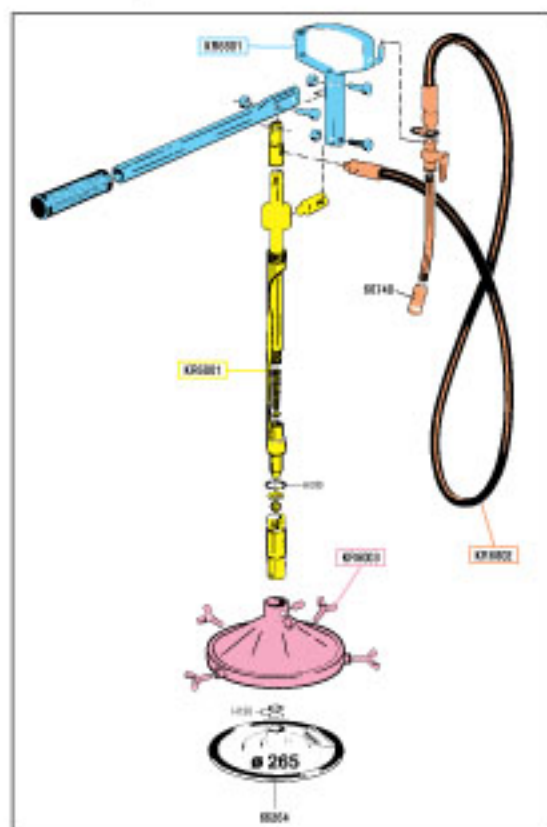
- hand-operated pump
- drum cover \varnothing 310 mm
- 2.5 m grease delivery hose with hook (art. 66740)
- follower plate \varnothing 310 (drums with inside \varnothing from 270 to 300 mm)

N° 1 packing m³ 0,022 kg 6,5

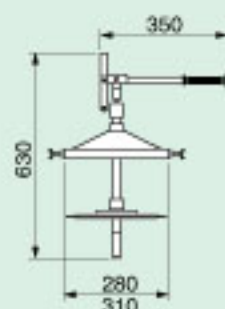
Article	60280	60310
For drums with inside diameter	from \varnothing 240 to \varnothing 260	from \varnothing 270 to \varnothing 300
Length delivery hose	2,5 m	2,5 m
Pressure of grease in delivery	140/150 bar	140/150 bar
Capacity 10 cycles of lever	60 g	60 g



Hand-operated portable grease pump for drums, lever-operated. Enables practical and safe greasing anywhere and on any motor vehicle or machinery. Particularly suitable for carrying even on the rough ground typical of agriculture, or in building sites.



Overall dimensions



art. 60280 - 60310

art.60410 (from Ø 270 to Ø 300)



art.60450

art.60451



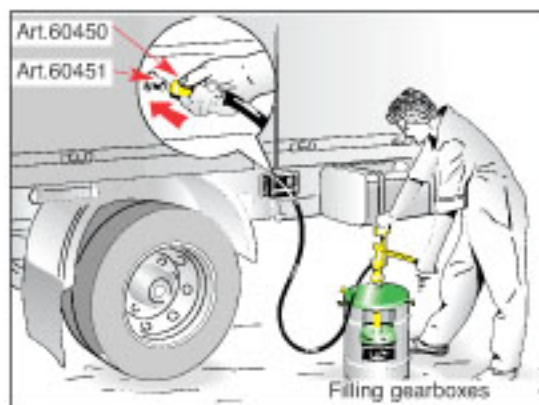
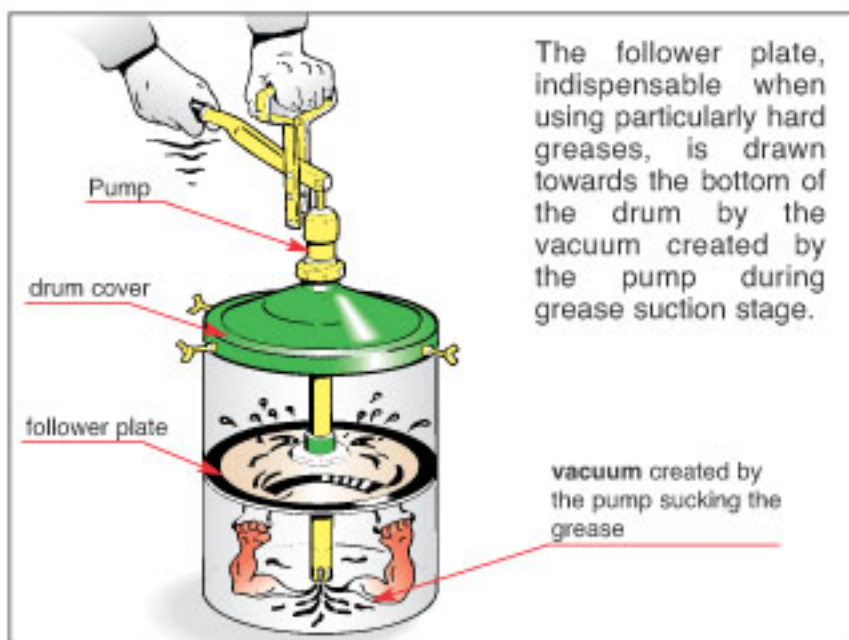
- Art.60410 Hand-operated pump for transferring grease from drums of 16/30 kg**
 Composed of :
- hand-operated transfer pump
 - drum cover ø 310 mm
 - 2 m of hose with delivery unit
 - follower plate ø 310 (drums with inside Ø from 270 to 300 mm)

N° 1 packing m³ 0,030 kg 6

Art. 60450 Quick-connection female
 with check valve, thread 1/4" F

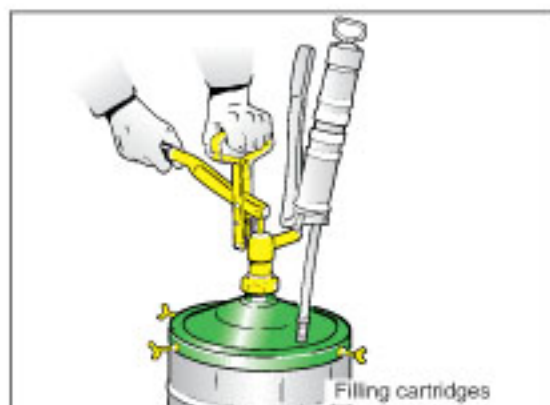
Art. 60451 Quick-connection male
 with check valve, thread 1/4" F

Article	60410
For drums with inside diameter	from ø270 to ø300
Length delivery hose	2 m-1/2"
Pressure of grease in delivery	18/20 bar
Capacity 10 lever cycles	500 g

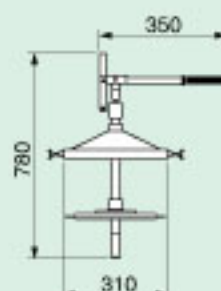


Hand-operated pump for transferring grease: suitable for easy and clean filling of gearboxes, crankcases, manual grease guns etc.

A complete pump cycle transfers 50 grams of grease.



Overall dimensions



art. 60410

