





for drums **20/60 kg**

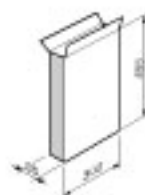


Art. 80035

**Adjustable and plated trolleys**, suitable for carrying drums of 20/60 kg in workplaces.

Art. 80035 **Trolley for drums of 20/60 kg**, with adjustable base for perfect drum clamping

N° 1 packing m<sup>3</sup> 0,010 kg 5



Trolley, unit construction, limited packing dimensions.



Trolley equipped with two wheels, drum clamping hook and adjustable base.

for drums **20/60 kg**  
**universal**



Art. 80050

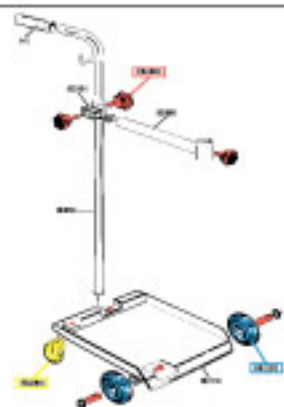
**Adjustable and plated trolleys**, suitable for carrying drums of 20/60 kg in workplaces.

Art. 80050 **Trolley for drums of 20/60 kg** equipped with four wheels (2 fixed and 2 castors)

N° 1 packing m<sup>3</sup> 0,020 kg 9,2

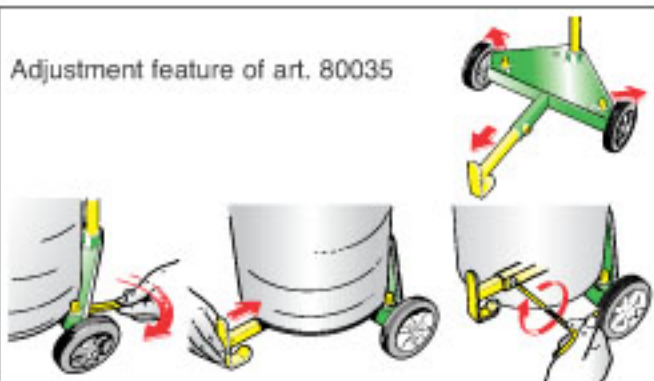


Trolley, unit construction, limited packing dimensions.

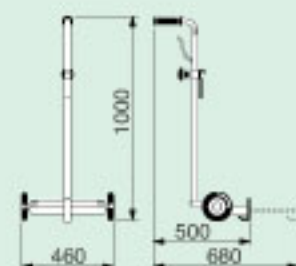


Trolley with universal base, suitable for taking various types of containers (tanks, drums, etc.)

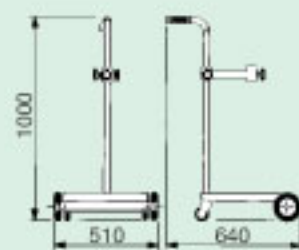
Adjustment feature of art. 80035



Overall dimensions



art. 80035



art. 80050

for drums **180/220 kg**

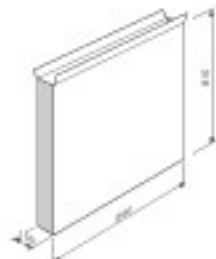


Art. 80200

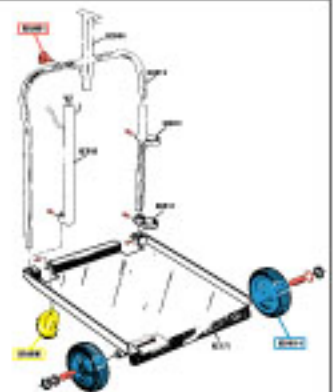
**Adjustable and plated trolleys**, suitable for taking drums of 180/220 kg in workplaces.

**Art. 80200 Standard trolley for drums of 180/220 kg** equipped with 4 wheels (2 fixed and 2 castors)

N° 1 packing m<sup>3</sup> 0,060 kg 21,9



Trolley unit construction, limited packing dimensions.



Equipped with drum quick-clamping device, adjustable side support for hooking gun and hose, or other accessories.

for drums **180/220 kg**  
**super**

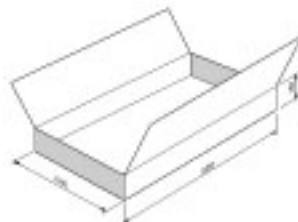


Art. 80201

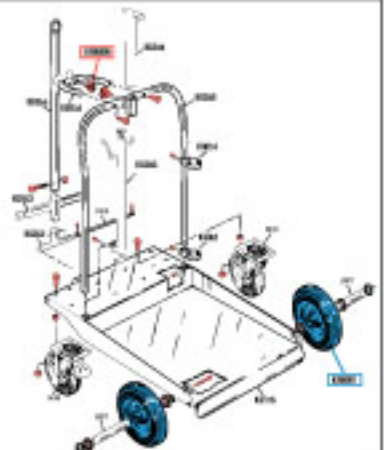
**Adjustable and plated trolleys**, suitable for taking drums of 180/220 kg in workplaces.

**Art. 80201 Super trolley for drums of 180/220 kg** equipped with 4 wheels (2 fixed and 2 castors, one of which braked)

N° 1 packing m<sup>3</sup> 0,100 kg 44



Trolley unit construction, limited packing dimensions.

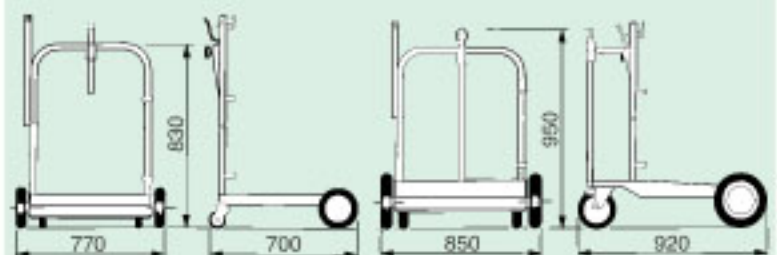


Will accept our hose-reels (see mobile kits art. 37100 - 64000).

Art. 80201  
Braked castor



Overall dimensions



art. 80200

art. 80201

