

series **420****SWIVELLING AND FIXED**

Art. 83112

When choosing a hose-reel, use the table given below (length of tube and working pressure in bars).

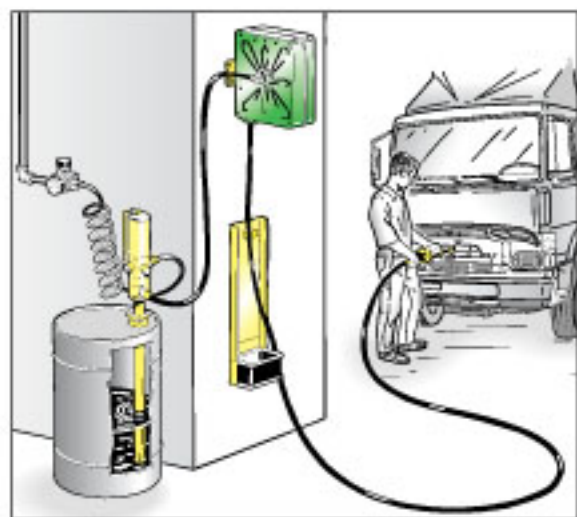
The universal hose-stop universal comes standard with all hose-reels not provided with hose.

HOSE-REELS FOR AIR

Article	Relative capacity	Working pressure	Hose for use	Inlet hose	ø hose	Connection inlet	Connection outlet
83101	800 l/min	60 bar	without hose	/	/	F 1/2" G	F 1/2" G
83107	760 l/min	18 bar	15m (91315)	0,6 m	1/2"	F 1/2" G	M 1/2" G
83110	690 l/min	18 bar	12m (93712)	0,6 m	3/8"	F 1/2" G	M 3/8" G
83111	640 l/min	18 bar	18m (93718)	0,6 m	3/8"	F 1/2" G	M 3/8" G

HOSE-REELS FOR OIL

Article	Relative capacity	Working pressure	Hose for use	Inlet hose	ø hose	Connection inlet	Connection outlet
83101	18 l/min	60 bar	without hose	/	/	F 1/2" G	F 1/2" G
83112	11 l/min	60 bar	10m (91210)	0,6 m	1/2"	F 1/2" G	M 1/2" G
83114	9 l/min	60 bar	15m (91215)	0,6 m	1/2"	F 1/2" G	M 1/2" G



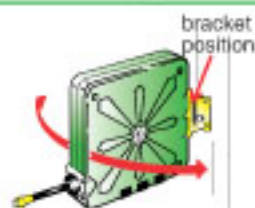
The hose-reels are the handiest, quickest, safest and cheapest way of transferring fluids such as: oil, air, water, grease, etc. and can be used in all industries, workshops, service stations, garages, etc. They are extremely easy to assemble. The hose-reel allows the desired length of hose to be extracted quickly and easily, for better work and functionality.

VERY QUICK TO INSTALL

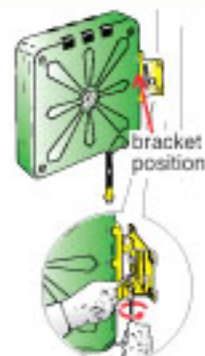
The hose-reel is easily hooked to the bracket previously fixed to the wall, ceiling or bench

**SWIVELLING POSITION**

In this position it can freely turn 55° to the right and left (only on wall)

**FIXED POSITION**

The hose-reel can be clamped in a fixed position, at 0°, (i.e. central) with the two screws supplied standard.



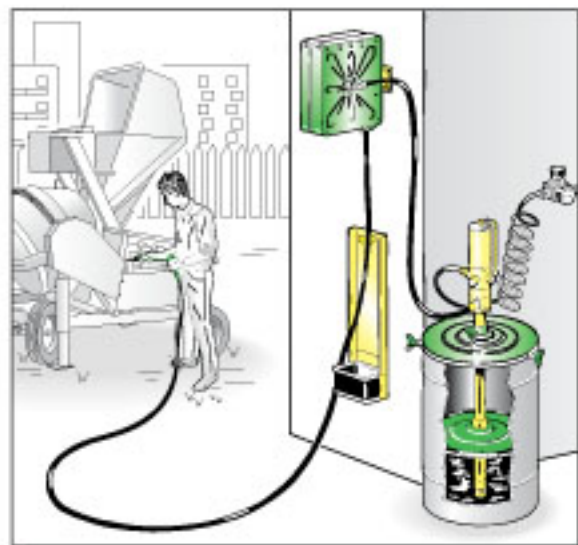
Depending on hose-reel installation, the drum-casing hooking bracket must be assembled in a position facilitating hose extraction and winding.

series 420

SWIVELLING AND FIXED



Art. 83215



With the hose-reel, hose rewinding becomes quick and sure, for an orderly workplace free of hindrances, while safeguarding against wear and eventual breakage of the hoses themselves.

To choose the hose-reel see the tables given below (length of hose and working pressure in bar).

The universal hose-stop comes standard on all hose-reels not provided with hose.

Max. length of hose to be wound according to its outside diameter in hose-reels **series 420**

	from ø 13,5 to ø 17 mm	20 m
	from ø 18 to ø 19,5 mm	15 m
	from ø 20 to ø 22 mm	13 m

HOSE-REELS FOR GREASE

Article	Relative capacity	Working pressure	Hose for use	Inlet hose	ø hose	Connection inlet	Connection outlet
83201	1200g/min	600 bar	without hose	/	/	F 1/4"G	F 1/2"G
83210	650 g/min	600 bar	12m (91412)	0,6 m	1/4"	F 1/4"G	M 1/4"G
83215	550 g/min	600 bar	18m (91418)	0,6 m	1/4"	F 1/4"G	M 1/4"G

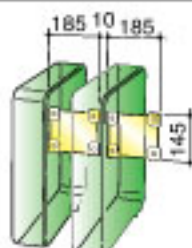
Hose-reel without hose, weight kg 21 - N° 1 packing from kg 25,6 to 27,9 m³ 0,090

UNIVERSAL HOSE-STOP
Supplied with all hose-reels not provided with hose



for hoses of ø from 13+15,5 mm for hoses of ø from 15,5+18 mm for hoses of ø from 18+22 mm

Notes: on hose-reels provided with hose, the stop is already assembled.

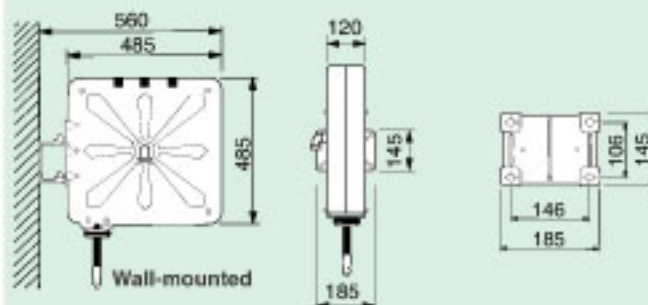


Distance for installation in series

For installing several hose reels in series, follow the distance between the bracket and bracket as per the drawing, in order to keep them aligned with eventual dript-trays assembled underneath.

In this case they must be clamped to the brackets (in fixed position) with the two screws supplied.

Overall dimensions



Series 420 hose-reel enclosed adjustable and fixed

