

series **420****SWIVELLING AND FIXED**

Art. 82012

HOSE-REELS FOR AIR

Article	Relative capacity	Working pressure	Hose for use	Inlet hose	ø hose	Connection inlet	Connection outlet
82001	800 l/min	60 bar	without hose	/	/	F 1/2"G	F 1/2"G
82007	760 l/min	18 bar	15m (91315)	0,6 m	1/2"	F 1/2"G	M 1/2"G
82010	690 l/min	18 bar	12m (93712)	0,6 m	3/8"	F 1/2"G	M 3/8"G
82011	640 l/min	18 bar	18m (93718)	0,6 m	3/8"	F 1/2"G	M 3/8"G

HOSE-REELS FOR OIL

Article	Relative capacity	Working pressure	Hose for use	Inlet hose	ø hose	Connection inlet	Connection outlet
82001	18 l/min	60 bar	without hose	/	/	F 1/2"G	F 1/2"G
82012	11 l/min	60 bar	10m (91210)	0,6 m	1/2"	F 1/2"G	M 1/2"G
82014	9 l/min	60 bar	15m (91215)	0,6 m	1/2"	F 1/2"G	M 1/2"G

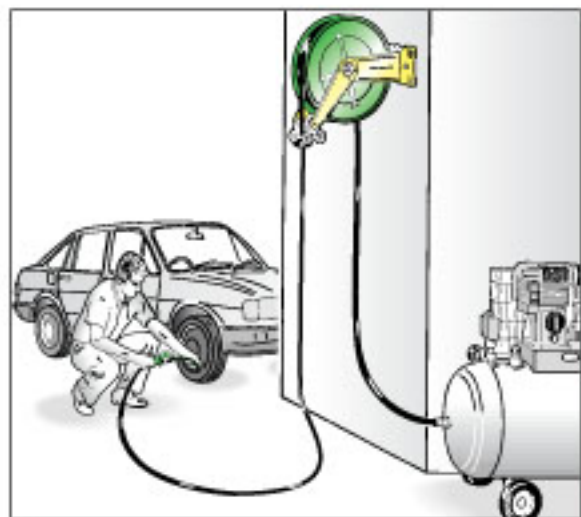
HOSE-REELS FOR GREASE

Article	Relative capacity	Working pressure	Hose for use	Inlet hose	ø hose	Connection inlet	Connection outlet
82100	1200g/min	600 bar	without hose	/	/	F 1/4"G	F 1/2"G
82110	650 g/min	600 bar	12m (91412)	0,6 m	1/4"	F 1/4"G	M 1/4"G
82115	550 g/min	600 bar	18m (91418)	0,6 m	1/4"	F 1/4"G	M 1/4"G

HOSE-REELS FOR WATER-HOT WATER 200 bar

Article	Relative capacity	Working pressure	Hose for use	Inlet hose	ø hose	Connection inlet	Connection outlet
82201	20 l/min	200 bar	without hose	/	/	F 1/4"G	F 1/2"G
82211	20 l/min	200 bar	12m (93912)	0,6 m	3/8"	F 3/8"G	F 3/8"G
82217	20 l/min	200 bar	18m (93918)	0,6 m	3/8"	F 3/8"G	F 3/8"G

Hose-reel without hose, weight kg 14,2 - N° 1 packing with hose kg 17 to 20,9 m³ 0,060



The hose-reels are the handiest, quickest, safest and cheapest way of transferring fluids such as: oil, air, water, grease, etc. and can be used in all industries, workshops, service stations, garages, etc. They are extremely easy to assemble. The hose-reel allows the desired length of hose to be extracted quickly and easily, for better work and functionality.

VERY QUICK TO INSTALL

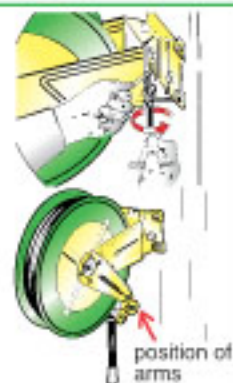
The hose-reel is easily hooked to the bracket previously fixed to the wall, ceiling or bench

**SWIVELLING POSITION**

In this position it can freely turn 55° to the right and left (only on wall)

**FIXED POSITION**

The hose-reel can be clamped in a fixed position, at 0°, (i.e. central) with the two screws supplied standard.



Depending on hose-reel installation, the hose guide arms must be positioned in such a way as to facilitate hose extraction and rewinding.

series 420 STAINLESS STEEL SWIVELLING AND FIXED



Art. 82315

STAINLESS-STEEL HOSE-REELS FOR WATER/HOT WATER 150°C 200 bar

Article	Relative capacity	Working pressure	Hose for use	Inlet hose	ø hose	Connection inlet	Connection outlet
82301	20 l/min	200 bar	without hose	/	/	F 1/4"G	F 1/2"G
82310	20 l/min	200 bar	12m (93912)	0,6 m	3/8"	F 3/8"G	F 3/8"G
82315	20 l/min	200 bar	18m (93918)	0,6 m	3/8"	F 3/8"G	F 3/8"G
82316	20 l/min	200 bar	20m hygienic (93921)	0,6 m	3/8"	F 3/8"G	F 3/8"G

STAINLESS-STEEL HOSE-REELS FOR WATER/HOT WATER 150°C 60 bar

Article	Relative capacity	Working pressure	Hose for use	Inlet hose	ø hose	Connection inlet	Connection outlet
82319	40 l/min	60 bar	without hose	/	/	F 1/2"G	F 1/2"G
82320	35 l/min	60 bar	15m hygienic (93216)	0,6 m	1/2"	F 1/2"G	M 1/2"G

STAINLESS-STEEL HOSE-REELS FOR AIR

Article	Relative capacity	Working pressure	Hose for use	Inlet hose	ø hose	Connection inlet	Connection outlet
82319	800 l/min	60 bar	without hose	/	/	F 1/2"G	F 1/2"G
82407	760 l/min	18 bar	15m (93135)	0,6 m	1/2"	F 1/2"G	M 1/2"G
82412	690 l/min	18 bar	12m (93712)	0,6 m	3/8"	F 1/2"G	M 3/8"G
82418	640 l/min	18 bar	18m (93718)	0,6 m	3/8"	F 1/2"G	M 3/8"G

Hose-reel without hose, weight kg 13,7 - N° 1 packing m³ 0,060
with hose from kg 21 to 23



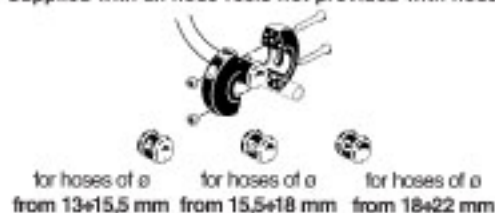
The hose-reels are the handiest, quickest, safest and cheapest way of transferring fluids such as water, hot water, etc. With the hose-reel, hose rewinding becomes quick and sure; for an orderly workplace free of hindrances, while safeguarding against wear and eventual breakage of the hoses themselves.

Max. length of hose to be wound according to its outside diameter in hose-reels series 420

	from ø 13,5 to ø 17 mm	20 m
	from ø 18 to ø 19,5 mm	15 m
	from ø 20 to ø 22 mm	13 m

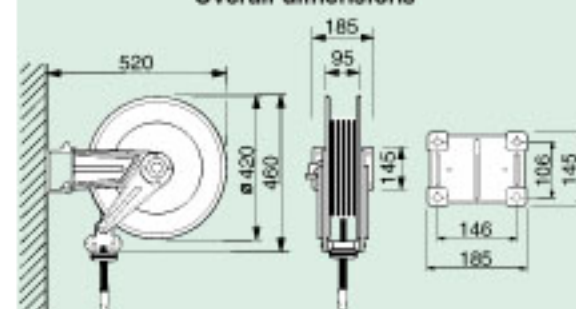
UNIVERSAL HOSE-STOP

Supplied with all hose-reels not provided with hose



Notes: the hose-stop is already assembled on hose-reels provided with hose.

Overall dimensions



Series 420 hose-reel open adjustable and fixed



series **420**
FIXED



Art. 81512

HOSE-REELS FOR AIR

Article	Relative capacity	Working pressure	Hose for use	Inlet hose	ø hose	Connection inlet	Connection outlet
81501	800 l/min	60 bar	without hose	/	/	F 1/2" G	F 1/2" G
81507	760 l/min	18 bar	15m (91315)	0,6 m	1/2"	F 1/2" G	M 1/2" G
81510	690 l/min	18 bar	12m (93712)	0,6 m	3/8"	F 1/2" G	M 3/8" G
81511	640 l/min	18 bar	18m (93718)	0,6 m	3/8"	F 1/2" G	M 3/8" G

HOSE-REELS FOR OIL

Article	Relative capacity	Working pressure	Hose for use	Inlet hose	ø hose	Connection inlet	Connection outlet
81501	18 l/min	60 bar	without hose	/	/	F 1/2" G	F 1/2" G
81512	11 l/min	60 bar	10m (91210)	0,6 m	1/2"	F 1/2" G	M 1/2" G
81514	9 l/min	60 bar	15m (91215)	0,6 m	1/2"	F 1/2" G	M 1/2" G

HOSE-REELS FOR GREASE

Article	Relative capacity	Working pressure	Hose for use	Inlet hose	ø hose	Connection inlet	Connection outlet
81601	1200 g/min	600 bar	without hose	/	/	F 1/4" G	F 1/2" G
81610	650 g/min	600 bar	12m (91412)	0,6 m	1/4"	F 1/4" G	M 1/4" G
81615	550 g/min	600 bar	18m (91418)	0,6 m	1/4"	F 1/4" G	M 1/4" G

HOSE-REELS FOR WATER-HOT WATER 200 bar

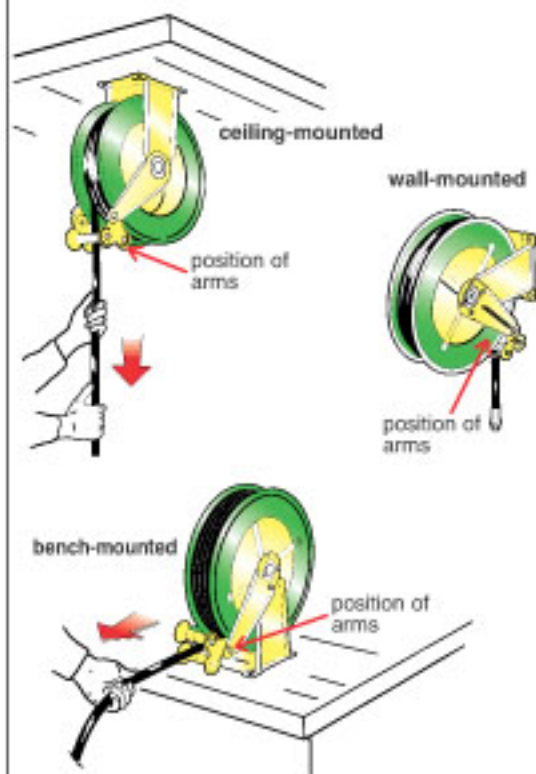
Article	Relative capacity	Working pressure	Hose for use	Inlet hose	ø hose	Connection inlet	Connection outlet
81401	20 l/min	200 bar	without hose	/	/	F 1/4" G	F 1/2" G
81411	20 l/min	200 bar	12m (93912)	0,6 m	3/8"	F 3/8" G	F 3/8" G
81417	20 l/min	200 bar	18m (93918)	0,6 m	3/8"	F 3/8" G	F 3/8" G

Hose-reel without hose, weight kg 13,6 - N° 1 packing with hose kg 16,3 to 20,3  m³ 0,060



The hose-reels are the handiest, quickest, safest and cheapest way of transferring fluids such as: oil, air, water, grease, etc. and can be used in all industries, workshops, service stations, garages, etc. They are extremely easy to assemble. The hose-reel allows the desired length of hose to be extracted quickly and easily, for better work and functionality.

EXAMPLE OF INSTALLATION



Depending on hose-reel installation, the hose guide arms must be positioned in such a way as to facilitate hose extraction and rewinding.

series 420 STAINLESS STEEL FIXED



Art. 81701

STAINLESS-STEEL HOSE-REELS FOR WATER/HOT WATER 150°C 200 bar

Article	Relative capacity	Working pressure	Hose for use	Inlet hose	ø hose	Connection inlet	Connection outlet
81701	20 l/min	200 bar	without hose	/	/	F 1/4" G	F 1/2" G
81712	20 l/min	200 bar	12m (93912)	0,6 m	3/8"	F 3/8" G	F 3/8" G
81718	20 l/min	200 bar	18m (93918)	0,6 m	3/8"	F 3/8" G	F 3/8" G
81716	20 l/min	200 bar	20m hygienic (93921)	0,6 m	3/8"	F 3/8" G	F 3/8" G

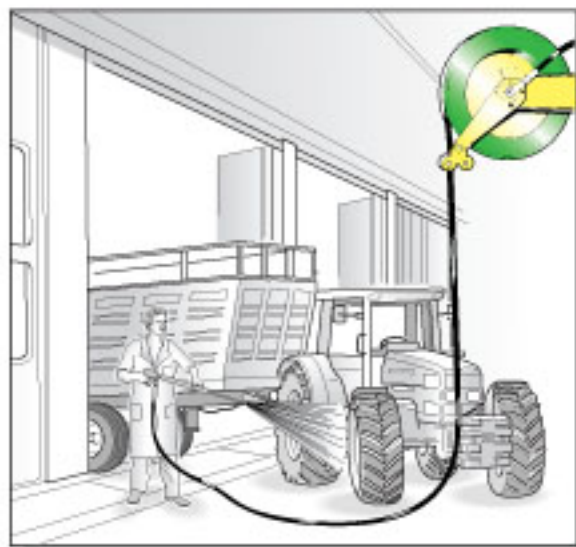
STAINLESS-STEEL HOSE-REELS FOR WATER/HOT WATER 150°C 60 bar

Article	Relative capacity	Working pressure	Hose for use	Inlet hose	ø hose	Connection inlet	Connection outlet
81719	40 l/min	60 bar	without hose	/	/	F 1/2" G	F 1/2" G
81720	35 l/min	60 bar	15m hygienic (91216)	0,6 m	1/2"	F 1/2" G	M 1/2" G

STAINLESS-STEEL HOSE-REELS FOR AIR

Article	Relative capacity	Working pressure	Hose for use	Inlet hose	ø hose	Connection inlet	Connection outlet
81719	800 l/min	60 bar	without hose	/	/	F 1/2" G	F 1/2" G
81807	760 l/min	18 bar	15m (91315)	0,6 m	1/2"	F 1/2" G	M 1/2" G
81812	690 l/min	18 bar	12m (93712)	0,6 m	3/8"	F 1/2" G	M 3/8" G
81818	640 l/min	18 bar	18m (93718)	0,6 m	3/8"	F 1/2" G	M 3/8" G

Hose-reel without hose, weight with hose kg 14 - N° 1 packing from kg 18,5 to 21,7 m³ 0,060



The hose-reels are the handiest, quickest, safest and cheapest way of transferring fluids such as water, hot water, etc. With the hose-reel, hose rewinding becomes quick and sure; for an orderly workplace free of hindrances, while safeguarding against wear and eventual breakage of the hoses themselves.

Max. length of hose to be wound according to its outside diameter in hose-reels series 420

	from ø 13,5 to ø 17 mm	20 m
	from ø 18 to ø 19,5 mm	15 m
	from ø 20 to ø 22 mm	13 m

UNIVERSAL HOSE-STOP

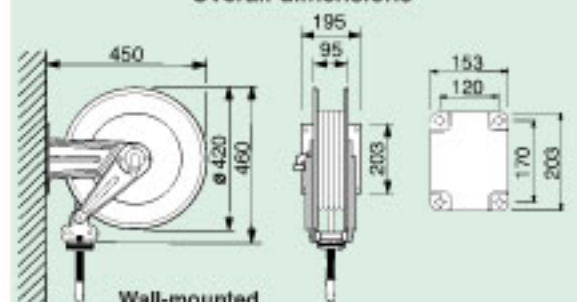
Supplied with all hose-reels not provided with hose



for hoses of ø from 13+15,5 mm for hoses of ø from 15,5+18 mm for hoses of ø from 18+22 mm

Notes: the hose-stop is already assembled on hose-reels provided with hose.

Overall dimensions



series **510**
SWIVELLING AND FIXED



Art. 88220

To choose the hose-reel, see the tables given below (length of hose and working pressure in bar). The universal hose-stop comes standard on all hose-reels not provided with hose.

HOSE-REELS FOR AIR

Article	Relative capacity	Working pressure	Hose for use	Inlet hose	ø hose	Connection inlet	Connection outlet
88201	800 l/min	60 bar	without hose	/	/	F 1/2"G	F 1/2"G
88220	750 l/min	18 bar	20m (91320)	0,6 m	1/2"	F 1/2"G	M 1/2"G
88225	740 l/min	18 bar	25m (91325)	0,6 m	1/2"	F 1/2"G	M 1/2"G

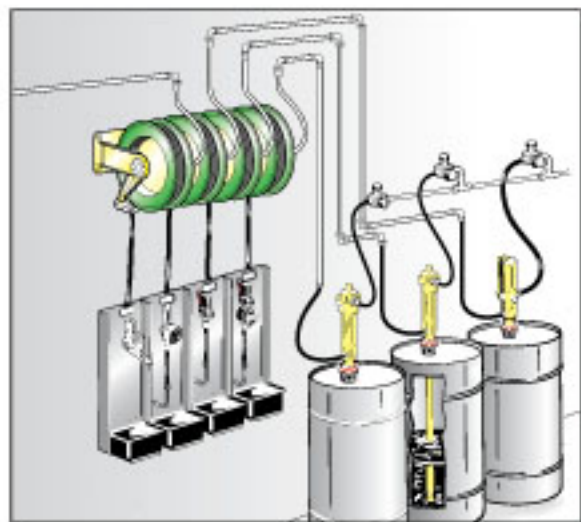
HOSE-REELS FOR OIL

Article	Relative capacity	Working pressure	Hose for use	Inlet hose	ø hose	Connection inlet	Connection outlet
88201	18 l/min	60 bar	without hose	/	/	F 1/2"G	F 1/2"G
88320	8 l/min	60 bar	20m (91220)	0,6 m	1/2"	F 1/2"G	M 1/2"G
88325	7 l/min	60 bar	25m (91225)	0,6 m	1/2"	F 1/2"G	M 1/2"G

HOSE-REELS FOR WATER-HOT WATER 200 bar

Article	Relative capacity	Working pressure	Hose for use	Inlet hose	ø hose	Connection inlet	Connection outlet
87201	20 l/min	200 bar	without hose	/	/	F 1/4"G	F 1/2"G
87225	20 l/min	200 bar	25m (93925)	0,6 m	3/8"	F 3/8"G	F 3/8"G

Hose-reel without hose, weight kg 19,2 - N° 1 packing m³ 0,060
with hose from kg 24,9 to 42



The hose-reels are the handiest, quickest, safest and cheapest way of transferring fluids such as: oil, air, water, grease, etc. and can be used in all industries, workshops, service stations, garages, etc. They are extremely easy to assemble. The hose-reel allows the desired length of hose to be extracted quickly and easily, for better work and functionality.

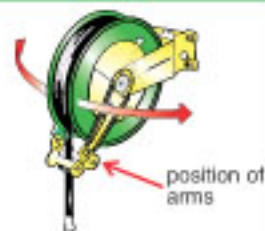
VERY QUICK TO INSTALL

The hose-reel is easily hooked to the bracket previously fixed to the wall, ceiling or bench



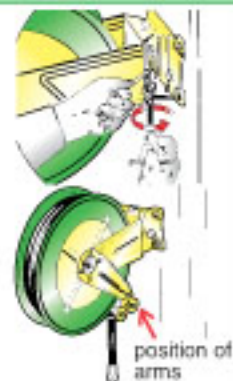
SWIVELLING POSITION

In this position it can freely turn 55° to the right and left (only on wall)



FIXED POSITION

The hose-reel can be clamped in a fixed position, at 0°, (i.e. central) with the two screws supplied standard.

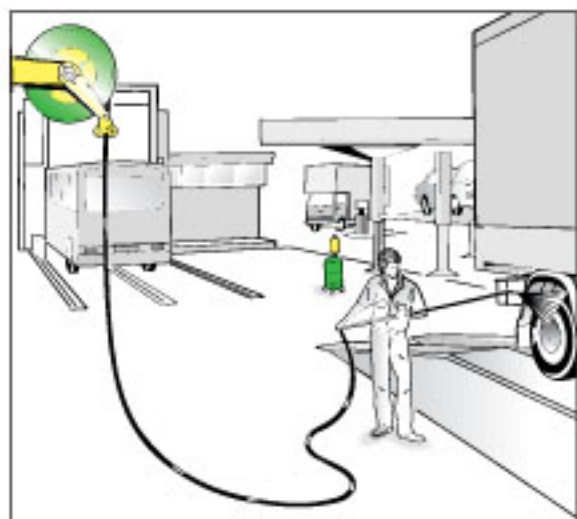


Depending on hose-reel installation, the hose guide arms must be positioned in such a way as to facilitate hose extraction and rewinding.

series 510 STAINLESS STEEL SWIVELLING AND FIXED



Art. 88525



The hose-reels are the handiest, quickest, safest and cheapest way of transferring fluids such as water, hot water, etc. With the hose-reel, hose rewinding becomes quick and sure; for an orderly workplace free of hindrances, while safeguarding against wear and eventual breakage of the hoses themselves.

STAINLESS-STEEL HOSE-REELS FOR WATER/HOT WATER 150°C 200 bar

Article	Relative capacity	Working pressure	Hose for use	Inlet hose	ø hose	Connection inlet	Connection outlet
88501	20 l/min	200 bar	without hose	/	/	F 1/4"G	F 1/2"G
88525	20 l/min	200 bar	25m (93925)	0,6 m	3/8"	F 3/8"G	M 3/8"G
88526	20 l/min	200 bar	25m hygienic (93926)	0,6 m	3/8"	F 3/8"G	F 3/8"G

Max. length of hose to be wound according to its outside diameter in hose-reels series 510

	from ø 13,5 to ø 18,5 mm	27 m
	from ø 19 to ø 20 mm	25 m
	from ø 21 to ø 22 mm	23 m

STAINLESS-STEEL HOSE-REELS FOR WATER/HOT WATER 150°C 60 bar

Article	Relative capacity	Working pressure	Hose for use	Inlet hose	ø hose	Connection inlet	Connection outlet
88601	40 l/min	60 bar	without hose	/	/	F 1/2"G	F 1/2"G
88627	35 l/min	60 bar	25m hygienic (91226)	0,6 m	1/2"	F 1/2"G	M 1/2"G

UNIVERSAL HOSE-STOP Supplied with all hose-reels not provided with hose



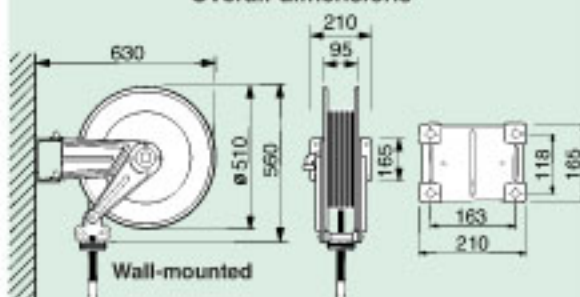
for hoses of ø from 13+15,5 mm for hoses of ø from 15,5+18 mm for hoses of ø from 18+22 mm

Notes: the hose-stop is already assembled on hose-reels provided with hose.

STAINLESS-STEEL HOSE-REELS FOR AIR

Article	Relative capacity	Working pressure	Hose for use	Inlet hose	ø hose	Connection inlet	Connection outlet
88601	800 l/min	60 bar	without hose	/	/	F 1/2"G	F 1/2"G
87620	750 l/min	18 bar	20m (91320)	0,6 m	1/2"	F 1/2"G	M 1/2"G
87625	740 l/min	18 bar	25m (91325)	0,6 m	1/2"	F 1/2"G	M 1/2"G

Overall dimensions



Series 510 hose-reel open adjustable and fixed

Hose-reel without hose, weight with hose kg 18,6 - N° 1 packing from kg 27 to 47 m³ 0,060

