



series **510**  
FIXED **HIGH CAPACITY**



Art. 88401

## HOSE-REELS FOR AIR

Article	Relative capacity	Working pressure	Hose for use	Inlet hose	Ø hose	Connection inlet	Connection outlet
88401	3000 l/min	40 bar	without hose	/	/	F 1" G	F 1" G
88414	2950 l/min	40 bar	14m (90114)	0,6 m	1"	F 1" G	M 1" G
88415	2800 l/min	40 bar	15m (93415)	0,6 m	3/4"	F 1" G	M 3/4" G
88420	2750 l/min	40 bar	20m (93420)	0,6 m	3/4"	F 1" G	M 3/4" G

## HOSE-REELS FOR OIL

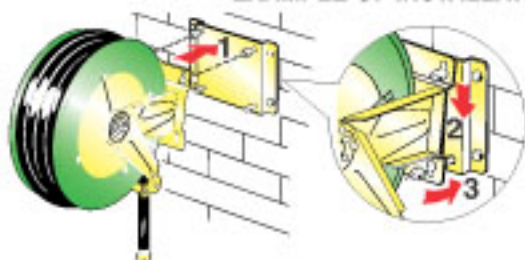
Article	Relative capacity	Working pressure	Hose for use	Inlet hose	Ø hose	Connection inlet	Connection outlet
88401	40 l/min	40 bar	without hose	/	/	F 1" G	F 1" G
88414	28 l/min	40 bar	14m (90114)	0,6 m	1"	F 1" G	M 1" G
88415	16 l/min	40 bar	15m (93415)	0,6 m	3/4"	F 1" G	M 3/4" G
88420	14 l/min	40 bar	20m (93420)	0,6 m	3/4"	F 1" G	M 3/4" G

## HOSE-REELS FOR WATER-HOT WATER 40 bar

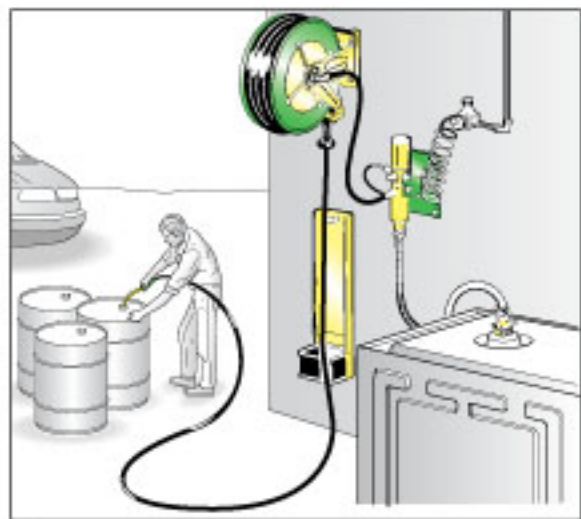
Article	Relative capacity	Working pressure	Hose for use	Inlet hose	Ø hose	Connection inlet	Connection outlet
87401	100 l/min	40 bar	without hose	/	/	F 3/4" G	F 1" G
87417	90 l/min	40 bar	17m hygienic (93517)	0,6 m	3/4"	F 3/4" G	M 3/4" G

Hose-reel without hose, weight kg 25,7 - N° 1 packing m<sup>3</sup> 0,110  
with hose from kg 34,8 to 38,1

## EXAMPLE OF INSTALLATION

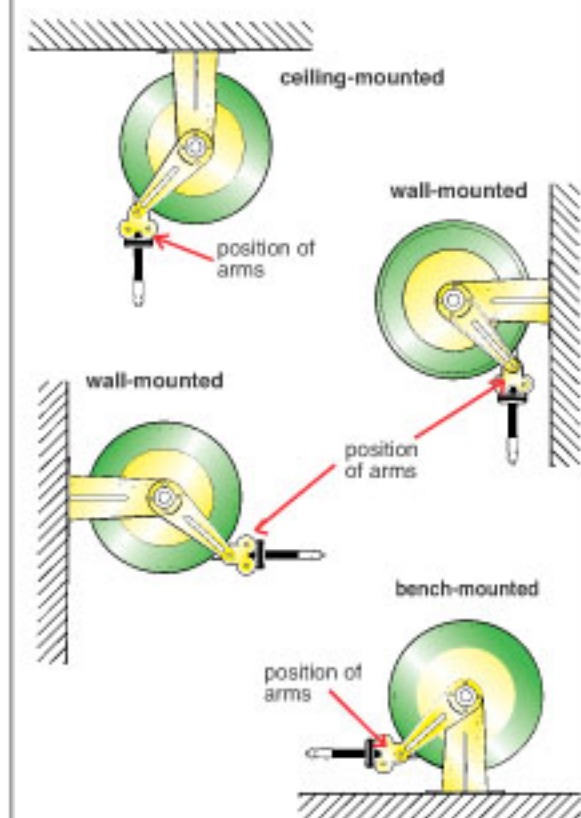


For wall-mounting, after deciding the ideal position for use, clamp the wall bracket with wall plugs. Screw the nuts at the top of the bracket 3-4 turns. Fit the hose-reel in the special seats.



The hose-reels are the handiest, quickest, safest and cheapest way of transferring fluids such as: oil, air, water, grease, etc. and can be used in all industries, workshops, service stations, garages, etc. They are extremely easy to assemble. The hose-reel allows the desired length of hose to be extracted quickly and easily, for better work and functionality.

## EXAMPLE OF INSTALLATION



Depending on hose-reel installation, the hose guide arms must be positioned in such a way as to facilitate hose extraction and rewinding.





series **420 AND 510 STAINLESS STEEL AISI 304**  
**SWIVELLING AND FIXED (SERIE 510 IS FIXED)**



Art. 89400-89401

Art. 89500-89501



Art. 88701

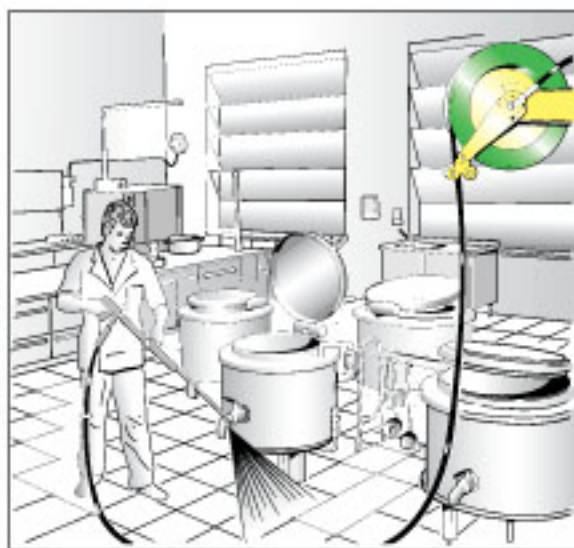
**The hose-reels** are the handiest, quickest, safest and cheapest way of transferring fluids such as water, hot water at 40-60-200 bar. Being realized entirely in stainless steel A.I.S.I. 304 they are particularly suitable for washing in places with food. The hose-reel allows the desired length of hose to be extracted quickly and easily, for better work and functionality.

Equipped with wall bracket facilitating wall hooking for assembly or eventual hose-reel maintenance. With hose-stop for universal hose.

**HOSE-REELS IN STAINLESS STEEL AISI 304**  
**FOR WATER/HOT WATER 150°C 200-60-40 bar**

Article	Relative capacity	Hose for use	Inlet hose	Ø hose	Connection inlet	Connection outlet	Working pressure
89400	20 l/min	without hose	/	/	F 1/4"G	F 1/2"G	200 bar
89401	40 l/min	without hose	/	/	F 1/2"G	F 1/2"G	60 bar
89500	20 l/min	without hose	/	/	F 1/4"G	F 1/2"G	200 bar
89501	40 l/min	without hose	/	/	F 1/2"G	F 1/2"G	60 bar
88701	100 l/min	without hose	/	/	F 3/4"	F 3/4" G	40 bar

Hose-reel without hose, weight  from kg 13,7 to 24,1  
 - N° 1 packing  m<sup>3</sup> from 0,060 to 0,110



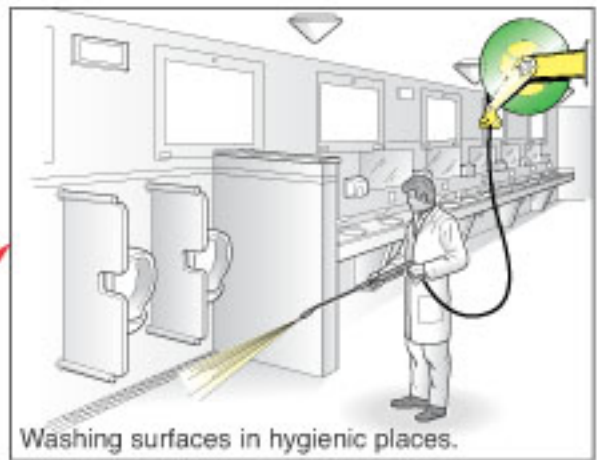
Depending on hose-reel installation, the hose guide arms must be positioned in such a way as to facilitate hose extraction and rewinding.

For overall dimensions and installation specifications, see the relative pages:

art. 89400 - 89401 see page 223  
 art. 89500 - 89501 see page 227  
 art. 88701 see page 231



Washing surfaces in slaughter-houses



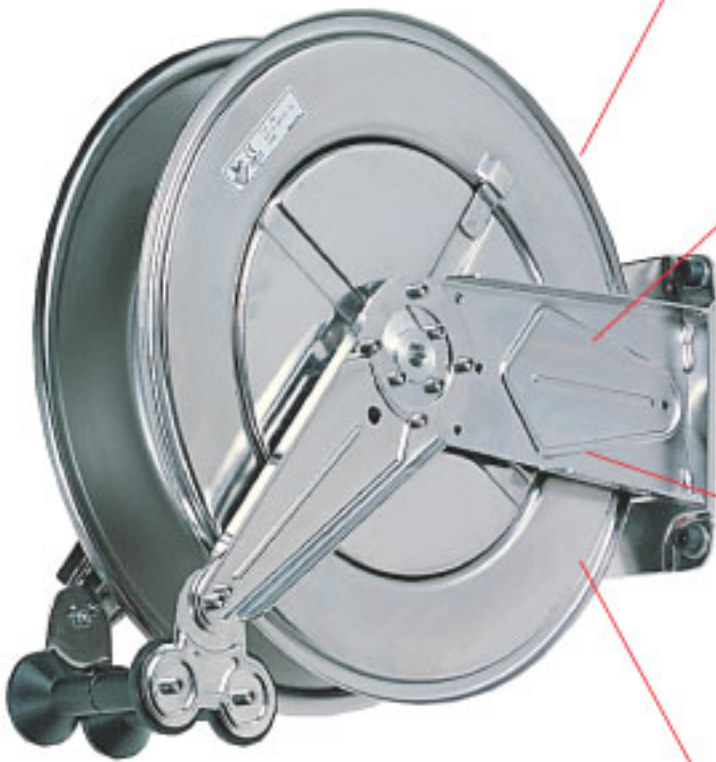
Washing surfaces in hygienic places.



Washing surfaces in cellars, distilleries.



Washing surfaces in sausage factories.

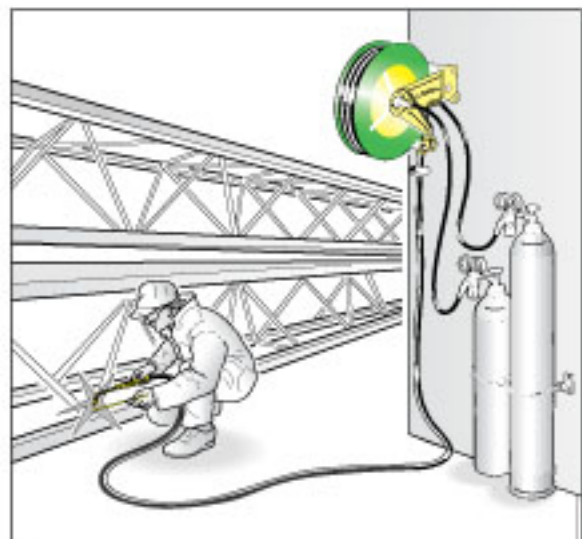




series **420 GAS**  
FIXED AND SWIVELLING



Art. 89112



The **double-hose version** is the handiest, quickest, safest and cheapest way of transferring acetylene + oxygen or nitrogen. Can be used in industries, workshops, garages, etc.

Very easy to assemble.

The hose-reel has a special steel spring type-tested for thousands of distributions. The hose-reel allows the desired length of hose to be extracted quickly and easily, for better work and functionality.

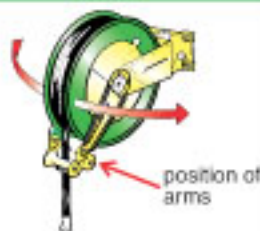
**VERY QUICK TO INSTALL**

The hose-reel is easily hooked to the bracket previously fixed to the wall, ceiling or bench



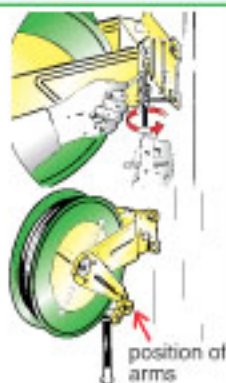
**SWIVELLING POSITION**

In this position it can freely turn 55° to the right and left (only on wall)



**FIXED POSITION**

The hose-reel can be clamped in a fixed position, at 0°, (i.e. central) with the two screws supplied standard.



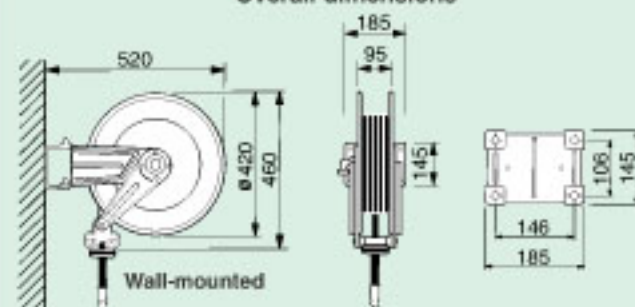
Depending on hose-reel installation, the hose guide arms must be positioned in such a way as to facilitate hose extraction and rewinding.

**HOSE-REELS FOR GAS**

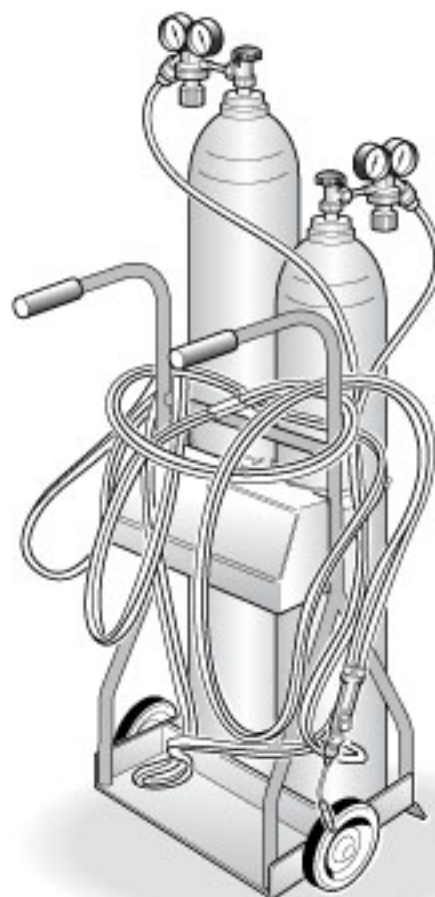
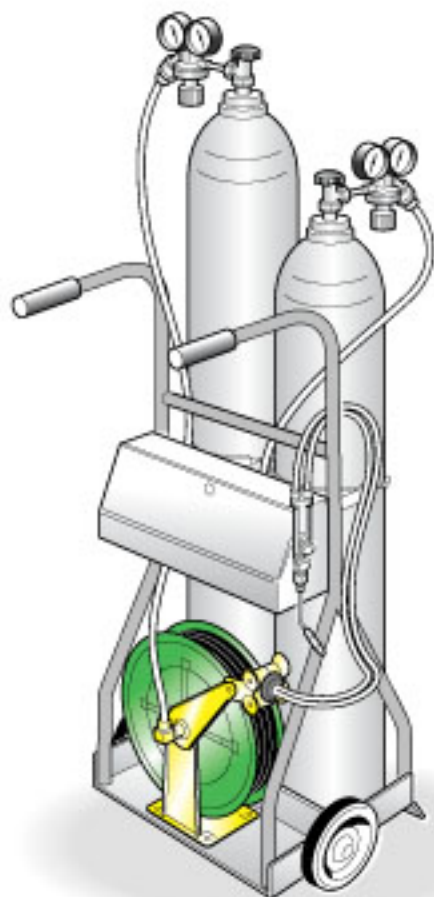
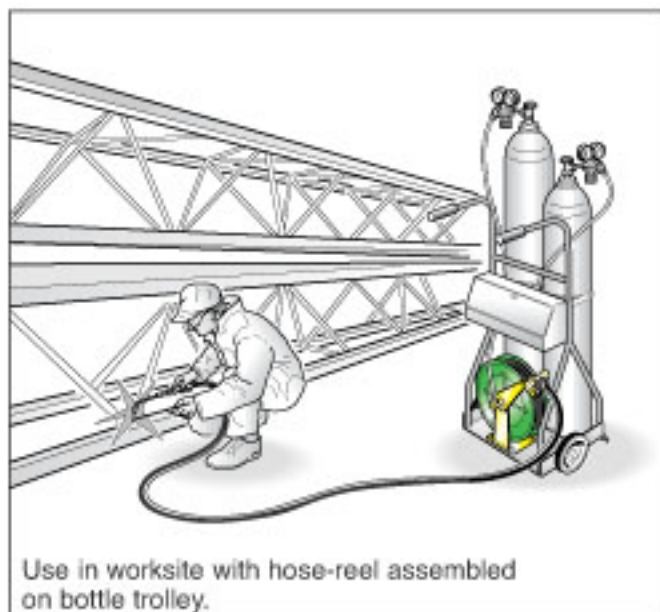
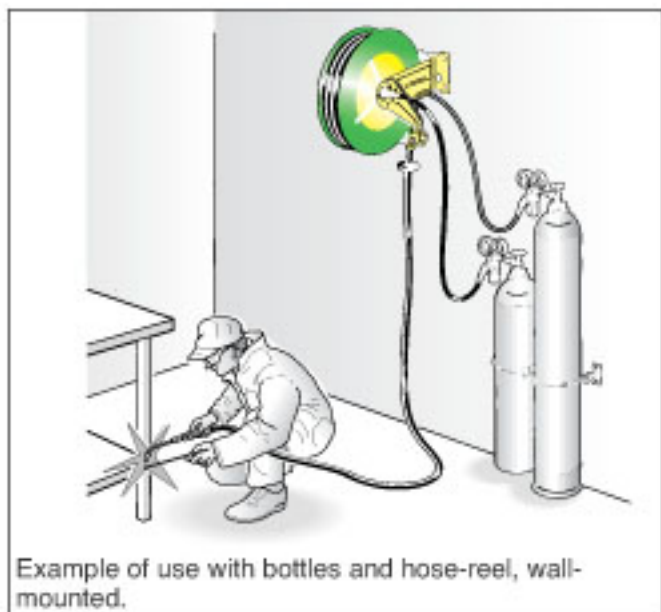
Article	Hose for use	Inlet hose	ø hose	Connection inlet	Connection outlet	Working pressure
89112	13m coupled	1,5 m	1/4"	F 1/4"G	F 1/4"G	20 bar

N° 1 packing m<sup>3</sup> 0,060 kg 20,4

**Overall dimensions**



Series 420 hose-reel open adjustable and fixed



With the hose-reel, hose **rewinding** becomes **quick and safe**; for an orderly workplace free of hindrances, while **safeguarding against wear** and eventual **breakage** of the hoses themselves.

The hose-reel leaves the **workplace clean, orderly and safe** for operators, and always ready for use.

## Modular drip-tray for hose-reel

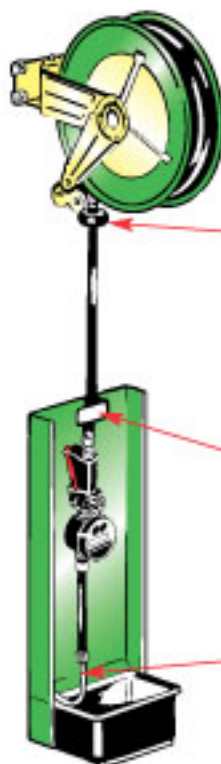
Art. 88630



Equipped with gun hook and removable tray.

Indispensable, applied under any hose-reel for holding the gun, and for keeping the wall and place clean and safe.

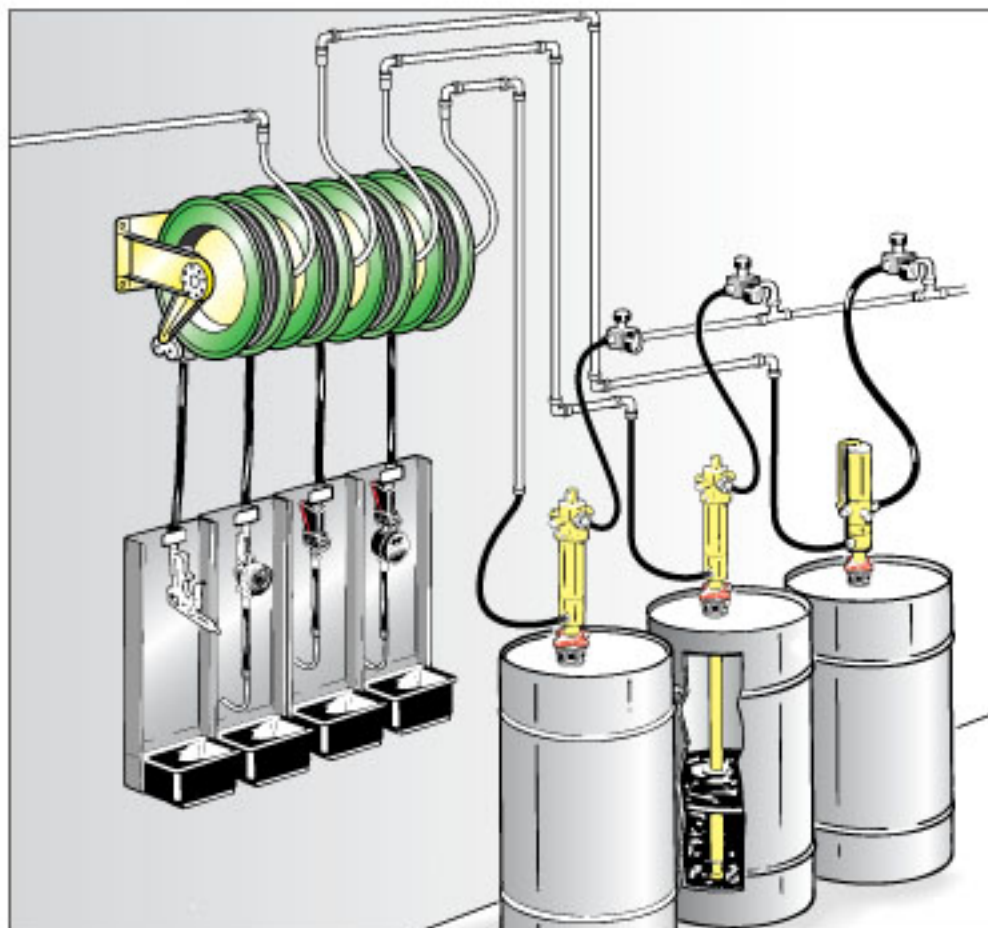
 N° 1 packing     $m^3$  0,030     kg 5,3



The hose-stop must be clamped in a position enabling the delivery gun, when hose-reel is not in use, to rest inside the drip-tray.

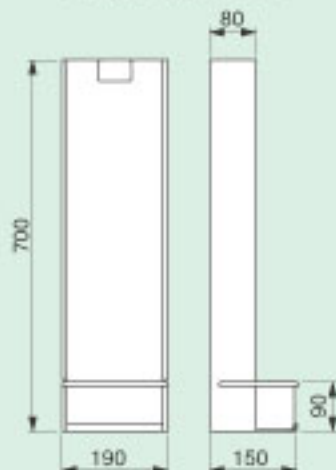
The drip-tray hook is used for easily hooking the hose when not in use, and not the delivery gun.

When not being used, the gun must have its terminal placed inside the drip-tray.



The width of the drip-tray is calculated to guide installation of hose-reels assembled in series.

Overall dimensions



art. 88630