



Maxi 80 - 400

4-, 6- & 8-post lifts

The Maxi program comprises 2 basic series: an electro-hydraulic 4-post series and an electro-mechanical 4-, 6- and 8-post series. The Maxi lifts are suitable for general maintenance and inspection, replacement of exhaust system, engine repair and brake service. The electro-hydraulic lifts have capacities of 8 and 10 t respectively; and the electro-mechanical of 13, 16, 20, 24, 32 and 40 t.

Wide and flexible range

- capacities from 8 to 40 t
- platform lengths "tailor-made" according to individual customer requirements (Maxi 160-400)
- Maxi 80, 10, 130 and 160 also available in versions for fork lift trucks
- easy adjustment to relevant track width
- Maxi 320 & 400 manufactured according to customers' requirements
- large program of Micro auxiliary jacks

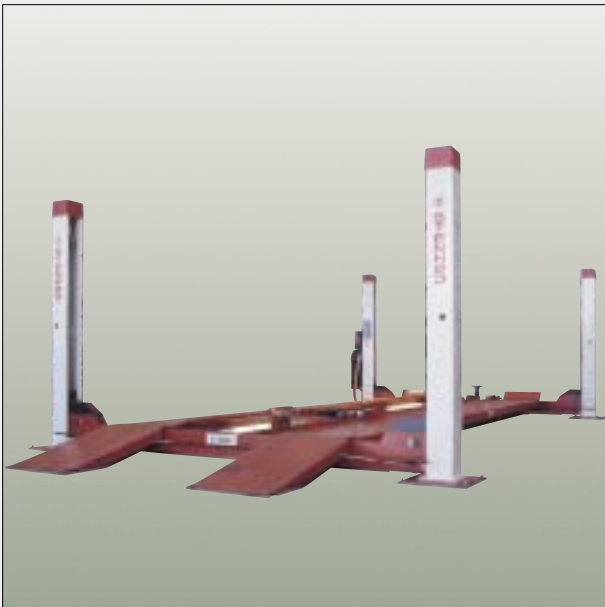
Maxi

- is like all other Stenhøj lifts CE-approved



STENHØJ
HEAVY DUTY

Maxi 80 – 100 – electro-hydraulic platform lifts



Maxi 80 & 100 - electro-hydraulic platform lifts.

Quality to the last detail

- pump units with immersed motor placed in comfortable working height
- parking via air-operated ratchet system
- single-acting cylinder with hard-chrome plated and teflon-coated piston integrated in platform
- fine adjust ratchets to get 100% level platforms
- large spring-loaded bars and rollers on platform ensure easy adjustment of track width
- cast-iron cable pulleys and hardened axles
- certified cables with min. ultimate tensile strength of 296 kN

Features:

Top safety

- friction brake system stops lift immediately in the event of cable failure
- emergency shutdown valve
- automatic air-operated parking system

Elegant control box

- 3 pushbuttons - up, down and parking
- with separate main switch
- placed in comfortable working height
- placed on front left post

Lifting height

- 1700 mm

Easy, low-cost installation

- no excavation work

Optional extras:

Impact-proof lighting sets, Micro auxiliary jacks, air connection kits, drive-on/of ramps, drive-over ramps, extended drive-on ramps, 3rd platform for 3-wheel fork lift trucks, wheel blocks.



Ratchet, parking system and eccentric brake.

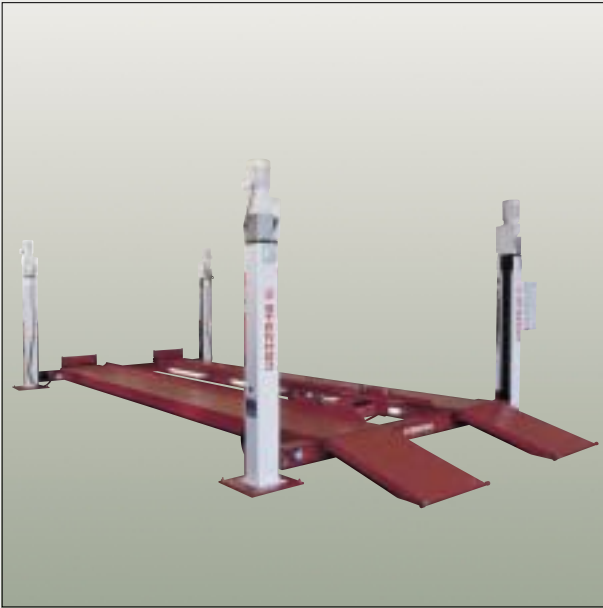


Pump and control units placed on front rear post.



Large program of optional extras, e.g. Micro auxiliary jacks, air connection kit and lighting sets.

Maxi 130 – 400 – electro-mechanical platform lifts



Maxi 130 - 400 - electro-mechanical platform lifts with 4, 6 or 8 posts.



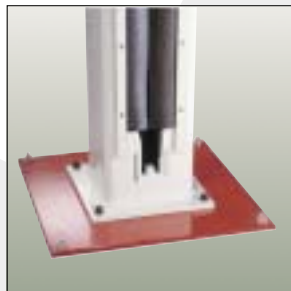
Self-locking spindle with driving and safety nuts.



Control unit placed on front left post.



Gear motor and elastic coupling which ensure that load spindle/nut is always axial.



Mechanical cross beam lock stabilizes platforms and cross beams when parking vehicle.

Quality to the last detail

- each post equipped with a gear motor and elastic coupling which ensure that load spindle/nut is always axial
- adjustable automatic lubrication
- pushbutton control with integrated electronic synchronization system
- mechanical cross beam lock stabilizes platforms and cross beams when parking vehicle
- large spring-loaded bars and rollers on platform ensure easy adjustment of track width
- automatic alignment (if necessary)

Features:

Top safety

- driving nut and safety nut on self-locking spindle and adjustable automatic lubrication
- obstruction system
- electronic synchronization system that ensures max. 1° difference between platforms longitudinally and transversally
- mechanical cross beam lock when platform is recessed

IP 67 control box

- 2 pushbuttons - up and down
- with separate main switch
- placed on front left post
- choice between individual or synchronous operation on Maxi 320 & 400

Lifting height

- 1850 mm

Easy, low-cost installation

- no excavation work

Optional extras:

Impact-proof lighting sets, Micro auxiliary jacks, air connection kits, drive-on/of ramps, drive-over ramps, extended drive-on ramps, 3rd platform for 3-wheel fork lift trucks, wheel blocks, kit for outdoor installation; incl. heating element for control unit, drive-over bridges for tandem lifts.

Maxi 130 – 400 – electro-mechanical platform lifts



4-post Maxi 160.



6-post Maxi 240.



8-post Maxi 400.

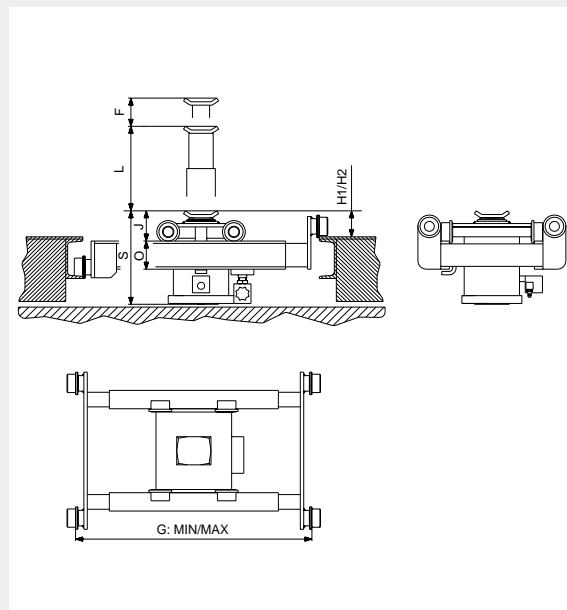
Improved working conditions and efficiency

Traditionally trucks and buses have always been serviced and repaired from a pit. This is not just an expensive way to do the job, it also provides very poor ergonomical working conditions for the mechanic. A pit is a general safety hazard and cold as well as damp, and in fact a lot of repair jobs are very difficult, some even impossible, to handle from down there.

If on the contrary the mechanic works under a lift, he will be able to do his job much quicker and easier - in a working position which is consistent with his physique - and in a far more efficient environment.

When using a lift instead of a pit a lot of time is saved - and time is money. Tests have shown that 2-2.5 hours less are spent when replacing brake lining on a 3-axle truck when using a tandem lift (Maxi 320 or 400) instead of a pit.

Air-hydraulic auxiliary jacks



The auxiliary jack program are used to provide wheel-free facility on Maxi lifts. The program comprises 5 air-hydraulic models. The auxiliary jacks are suitable for e.g. brake repairs. The auxiliary jacks are available for lifts with guiding edges and also in versions that are equipped with rubber rollers to be placed directly on the platforms. The Micro auxiliary jacks have capacities of 5, 6, 7, 10 and 13 t.

Quality to the last detail

- telescopic piston
- bridge movable horizontally
- adjustable bridge
- spring-loaded suspension for fitting between adjustable platforms
- sturdy, smooth-running rollers
- easy operation

Micro

- is like all other Stenhøj products CE-approved

Optional extras:

Air connection kit, traverse set, auxiliary bridge.

Corrosion-proof surface treatment

Stenhøj lifts are led through a sling purifying plant (according to SA2.50 – ISO-Norm 8501-1:1988), dipped in primer, and finally led through an electro-static powder bake plant.

Standard colours:

Red RAL 3013
Special colour combinations on request.

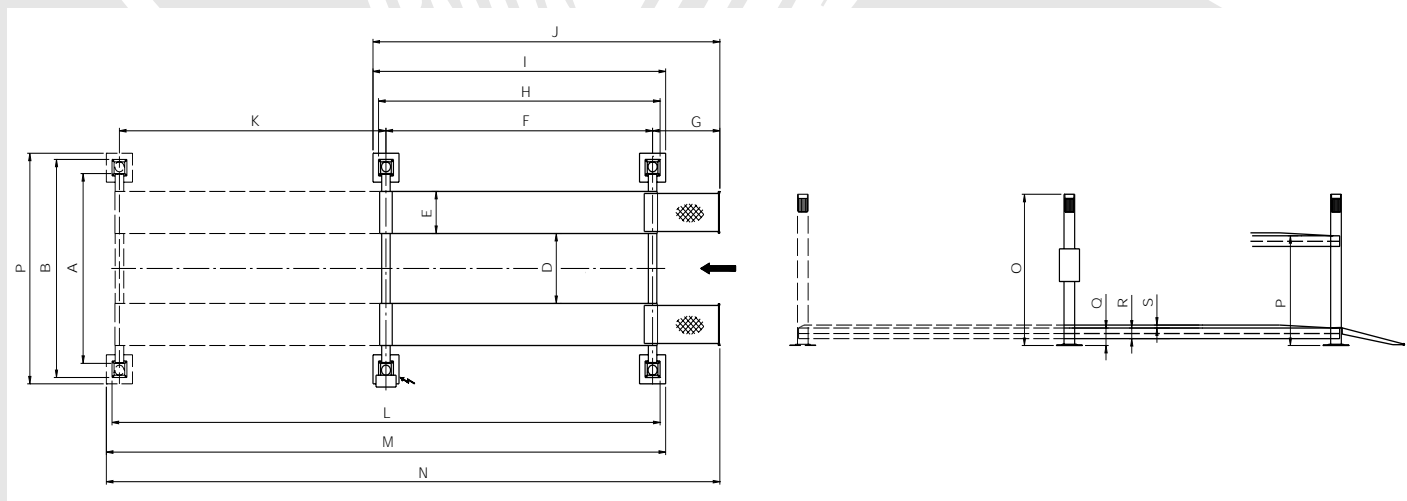
No liability accepted for specifications, which are subject to alteration.

	Micro 50	Micro 60	Micro 70	Micro 100	Micro 130
L	330	330	330	330	330
F (extension)	148	148	100	100	100
S	332	332	332	350	350
J	30	107	112	130	130
O	-	100	100	140	140
H1 (with guiding edges)	95	-	140	140	-
H2 (without guiding edges)	-	75	75	75	75
G (min/max)	600/1300	600/1300	1050/1215	1050/1215	1050/1215

Technical data:

	Micro 50	Micro 60	Micro 70	Micro 100	Micro 130
Lifting capacity:	5000 kg	6000 kg	7000 kg	10000 kg	13000 kg
Stroke length:	330 mm	330 mm	330 mm	330 mm	330 mm
Hydraulic pressure:	90 bar	110 bar	125 bar	170 bar	215 bar
Pneumatic pressure:	11 bar	11 bar	11 bar	11 bar	11 bar
Oil:	3.2 l	3.2 l	3.2 l	6.0 l	6.0 l

Model	A	B	C	D Min./ max.	E	F	G	H	I	J	K	L	M	N	O	P	Q	R	S
Maxi 80/100 (6 m)	3520	4000	4210	1000/ 1340	650	5905	1182	6185	6395	7332					2354	1700	265	210	50
Maxi 80/100 (7 m)	3520	4000	4210	1000/ 1340	650	6905	1182	7185	7395	8332					2354	1700	265	210	50
Maxi 80/100 fork lift truck	2620	3100	3310	525/ 775	650	4505	1681	4785	4995	6431					2354	1700	265	180	50
Maxi 130	3200	3680	3890	950/ 1180	710	6500	1260	7480	7690	8705					2550	1850	295	195	75
Maxi 160	3200	3680	3890	950/ 1180	710	7200	1260	7480	7690	8705					2550	1850	295	195	75
Maxi 160, fork lift truck	3200	3680	3890	950/ 1180	705	3950	2150	4230	4440	6345					2550	1850	295	195	50/ 75
Maxi 200	3470	3950	4160	950/ 1180	710	7500	1260	7780	7990	9005					2550	1850	305	200	75
Maxi 240	3200	3680	3890	950/ 1180	710	5000	1260				5000	10280	10490	11505	2550	1850	305	200	75



Technical data:	Maxi 80	100	130	160	200	240
Lifting capacity:	8000 kg	10000 kg	13000 kg	16000 kg	20000 kg	24000 kg
Lifting time:	45 sec.	45 sec.	120 sec.	120 sec.	120 sec.	120 sec.
Motor:	3 kW	3 kW	4 x 2.2 kW	4 x 2.2 kW	4 x 2.2 kW	6 x 2.2 kW
Min./max. pressure:	7/10 bar	7/10 bar	-	-	-	-

Maxi 320 & 400 are manufactured according to customers' requirements.

Corrosion-proof surface treatment

Stenhøj lifts are led through a sling purifying plant (according to SA2.50 - ISO-Norm 8501-1:1988), dipped in primer, and finally led through an electro-static powder bake plant. Likewise platforms are led through a sling purifying plant, after which they are primed and wet enamel painted.

Standard colours:

Red RAL 3013
White RAL 9002
Special colour combinations on request.

No liability accepted for specifications, which are subject to alteration.



STENHØJ

DK-7150 Barrit
Phone: +45 7682 1330
Fax: +45 7682 1331
www.stenhøj.dk
E-mail: autolift@stenhøj.dk