



Stenhøj Micro 20 & 26

Air- and hand-hydraulic scissor jacks

The scissor jack program for usage on all platform lifts comprises air- and hand-hydraulic jacks. The scissor jack is used in connection with e.g. wheel alignment and brake repairs. The Micro jacks are available with 2 and 2.6 t capacities respectively.

Features:

Top safety

- 2-hand operation
- mechanical parking system
- retaining device

Extensive range of models

- side pieces for Major Combi and Monarch
- side pieces for old Stenhøj platform lifts
- side pieces manufactured according to customer specifications

Double arm extension

- max. 1600 mm (Micro 20) and 1460 mm (Micro 26)
- galvanized arms
- Delivered as standard with a full set of pick-up pads

Lifting height

- 300 mm (Micro 20) and 250 mm (Micro 26)

Micro 20 & 26

- are like all other Stenhøj products CE-approved and TÜV-certified



STENHØJ

DK-7150 Barrit

Denmark

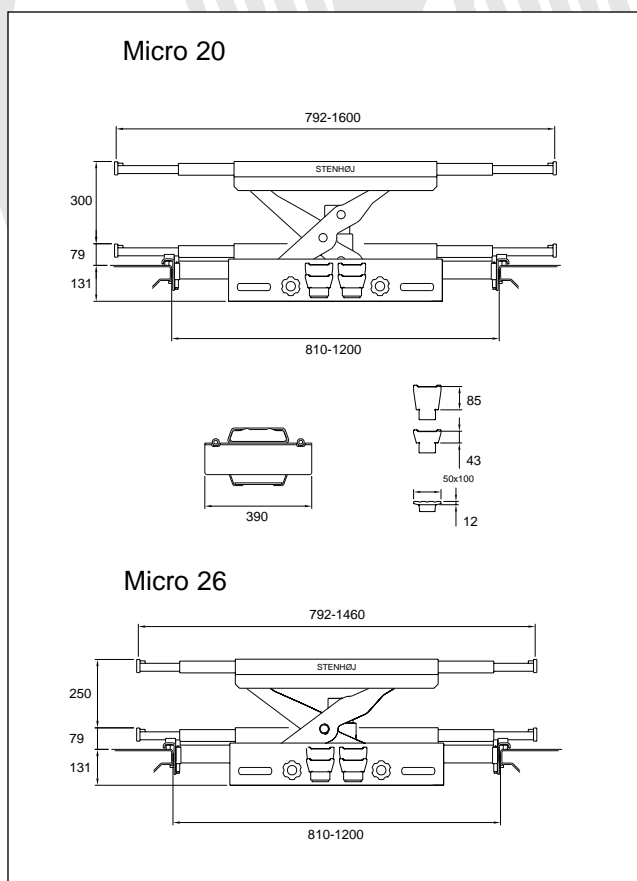
Phone: +45 7682 1330

Fax: +45 7682 1331

www.stenhøj.dk

E-mail: autolift@stenhøj.dk

Stenhøj Micro 20 & 26



Double-acting air-hydraulic cylinder with plastic valve casing and aluminium cylinder – prevents formation of corrosion due to poor air quality.

Technical data:	Micro 20	Micro 26
Lifting capacity:	2000 kg	2600 kg
Lifting time (air)		
with 1000/2000 kg:	27/52 sec.	
with 1300/2600 kg:		23/44 sec.
Min./max. pressure:	5.5/8.0 bar	5.5/8.0 bar

Optional extras:

Various sets of pads, air connection kits, side pieces.

Corrosion-proof surface treatment

All Stenhøj jacks are led through a sling purifying plant (according to SA2.50 – ISO-Norm 8501-1; 1988), dipped in primer, and finally led through an electrostatic powder bake plant.

Standard colours:

Red RAL 3013

Special colour combinations on request.

No liability accepted for specifications, which are subject to alteration.



STENHØJ

DK-7150 Barrit

Denmark

Phone: +45 7682 1330

Fax: +45 7682 1331

www.stenhøj.dk

E-mail: autolift@stenhoj.dk



Parking system.



Pads included.



Air connection kit.



Pad sets – optional extras.